

Easytork

Gearbox



GO Series Declutchable Gearbox: Overview

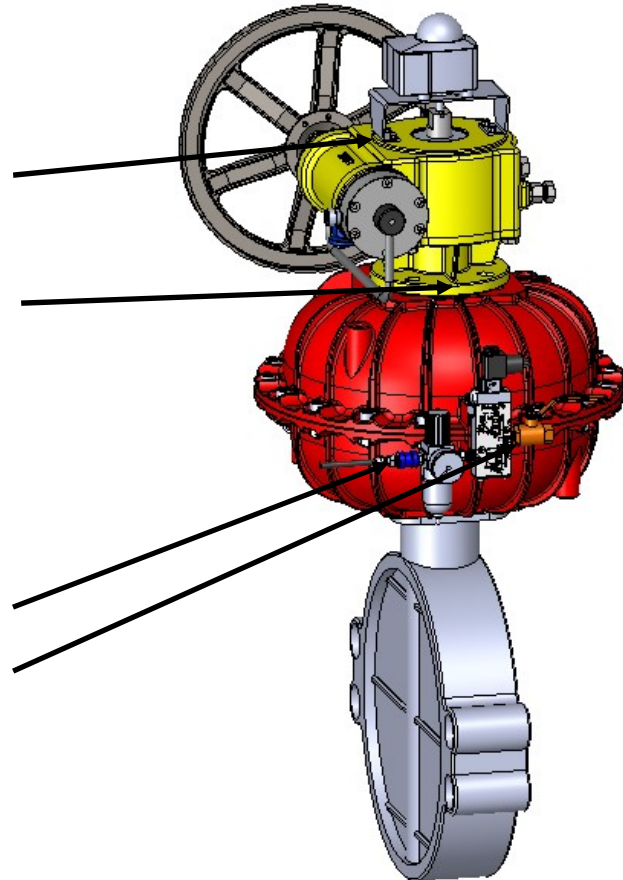
Overview

- High strength and torque
- IP67 solid weatherproof sealing
- ISO5211 mounting base standard
- Auto – manual safe shift device
- Self lubricated bearing for worm & worm gear
- WCB body surface treated by phosphating, epoxy & polyester coating



Features with EVA Actuators

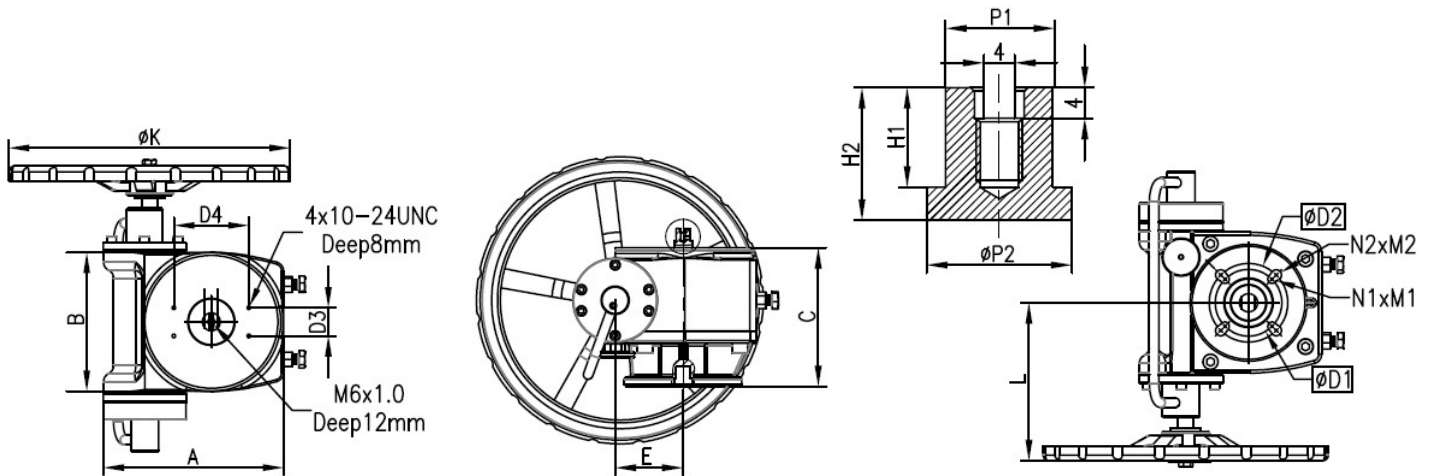
- K-GO-1-3-11 : EVA-0514, EVA-0717, and EVA-1022
- K-GO-1-6-11 : EVA-1227 and EVA-1436
- K-GO-1-8-11: EVA-1646 and EVA-1646 Tandem
- ISO5211 standard allows auxiliaries such as limit switch and positioner to be mounted
- GO Series declutchable gearbox models will direct mount to the top of the EVA actuators (engages with actuator's upper shaft). Setup results in no added hysteresis between actuator and valve.



Operation

- Block main air supply through slide valve.
- A small $\frac{1}{4}$ " ball valve can be installed on port 6 of ESV/EPV to relieve trapped air and vacuum in actuator.
- As there is no spring, on smaller actuators users can use a wrench directly to the actuator to manual override the actuator.
- Engage the gear operator for manual operation.

GO Series Declutchable Gearbox: Dimensions



Model:	K-GO-1-3-11		K-GO-1-6-11		K-GO-1-8-11	
	Metric	Imperial	Metric	Imperial	Metric	Imperial
For	EVA-0514, EVA-0717, EVA-1022		EVA-1227, EVA-1436		EVA-1646, EVA-1646 Tandem	
Gearbox Dimensions						
A	192	7.56	260	10.24	334	13.15
B	148	5.83	196	7.72	255	10.04
C	145	5.71	191.5	7.54	181.0	7.13
E	71	2.80	107.5	4.23	123.0	4.84
K	300	11.81	350	13.78	700	27.56
L	181	7.13	268	10.55	270	10.63
Gearbox - Actuator Mounting Dimensions						
D1	70	2.76	127	5.00	165	6.50
D2	82.55	3.25	140	5.51	-	-
N1xM1	4xØ9	4xØ0.35	4xØ14.2	4xØ0.56	4xØ22.0	4xØ0.87
N2xM2	4xØ11	4xØ0.43	4xØ17	4xØ0.67	-	-
Gearbox - Auxilliary Mounting Dimensions						
D3	30	1.18	30	1.18	30	1.18
D4	80	3.15	130	5.12	130	5.12
H1	13	0.51	20	0.79	20	0.79
H2	20	0.79	30	1.18	30	1.18
P1	14	0.55	24	0.94	24	0.94
P2	19	0.75	33	1.30	33	1.30
Torque						
Input Torque	42Nm	372in-lb	80Nm	708in-lb	230Nm	2,036in-lb
Output Torque	600Nm	5,310in-lb	1,600Nm	14,160in-lb	4,000Nm	35,400in-lb

Note: Upper shaft on EVA-1022, EVA-1646, and EVA-1646 Tandem needs to be replaced for direct mounting to gearbox. Otherwise, gearbox would fit direct onto actuator.

Ordering Codes

Easytork Declutchable Direct Mount Gear Operator

Prefix	Product Type	Model Number	Gear Operator Attributes				
			Actuator Size	Material	Thread		
K	-	GO	-	X	-	X	X
K: Kit	GO: Gear Operator	1: Declutchable Direct Mount Gear Operator	3: For EVA-0514, EVA-0717, EVA-1022 6: For EVA-1227, EVA-1436 8: For EVA-1646	1: Standard version	1: Imperial 2: Metric		

Easytork Declutchable Direct Mount Gear Operator – Upper Shaft

Prefix	Product Type	Upper Shaft	Upper Shaft Attributes				
			Actuator Size	Material			
K	-	GO	-	US	-	X	X
K: Kit	GO: Gear Operator	US: Upper Shaft	5: For EVA-1022 8: For EVA-1646	1: Standard version			

Note: Only required for EVA-1022 and EVA-1646 with the gear operator.

<p>About</p> <p>We believe in selling “easy”. Easytork brings differentiating features and benefits to the process control industry through our focus on innovation and quality. Easytork has been awarded numerous awards including:</p> <p>2013 – Arch Grants Recipient</p> <p>2015 – Accelerate St. Louis</p> <p>2017 – Frost & Sullivan Product Innovation Award</p>	<p>Global Headquarters</p> <p>2505 Metro Blvd, Suite A / B Maryland Heights, MO 63043 USA</p> <p>Main Tel: +1-314-266-0670 Main Fax: +1-314-222-7057 info@easytork.com www.easytork.com</p>
---	--