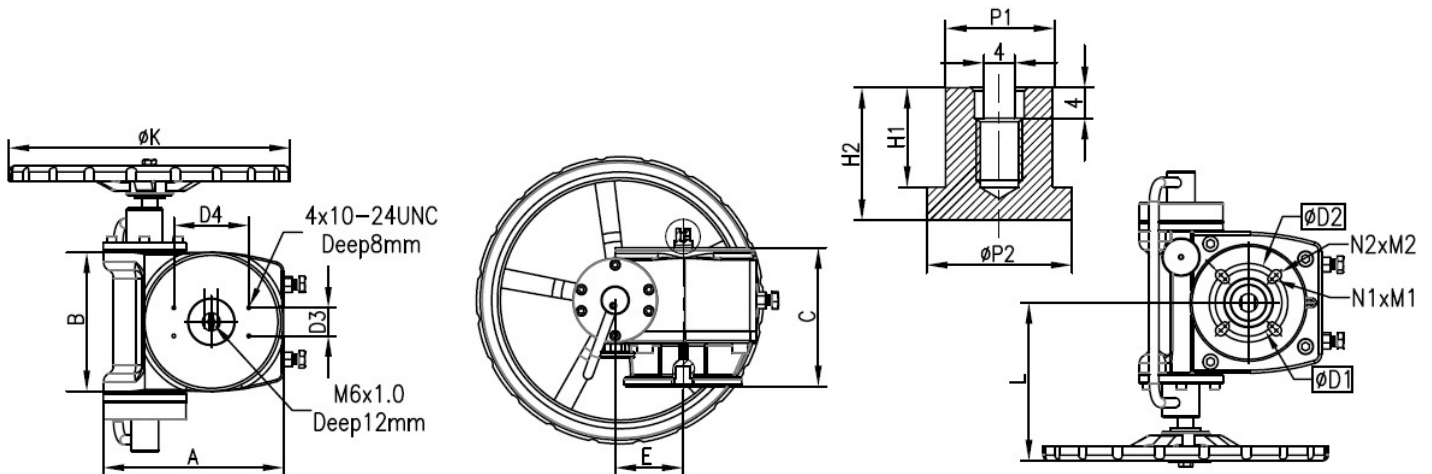


GO Series Declutchable Gearbox: Dimensions



Model:	K-GO-1-3-11		K-GO-1-6-11		K-GO-1-8-11	
	Metric	Imperial	Metric	Imperial	Metric	Imperial
For	EVA-0514, EVA-0717, EVA-1022		EVA-1227, EVA-1436		EVA-1646, EVA-1646 Tandem	
Gearbox Dimensions						
A	192	7.56	260	10.24	334	13.15
B	148	5.83	196	7.72	255	10.04
C	145	5.71	191.5	7.54	181.0	7.13
E	71	2.80	107.5	4.23	123.0	4.84
K	300	11.81	350	13.78	700	27.56
L	181	7.13	268	10.55	270	10.63
Gearbox - Actuator Mounting Dimensions						
D1	70	2.76	127	5.00	165	6.50
D2	82.55	3.25	140	5.51	-	-
N1xM1	4xØ9	4xØ0.35	4xØ14.2	4xØ0.56	4xØ22.0	4xØ0.87
N2xM2	4xØ11	4xØ0.43	4xØ17	4xØ0.67	-	-
Gearbox - Auxilliary Mounting Dimensions						
D3	30	1.18	30	1.18	30	1.18
D4	80	3.15	130	5.12	130	5.12
H1	13	0.51	20	0.79	20	0.79
H2	20	0.79	30	1.18	30	1.18
P1	14	0.55	24	0.94	24	0.94
P2	19	0.75	33	1.30	33	1.30
Torque						
Input Torque	42Nm	372in-lb	80Nm	708in-lb	230Nm	2,036in-lb
Output Torque	600Nm	5,310in-lb	1,600Nm	14,160in-lb	4,000Nm	35,400in-lb

Note: Upper shaft on EVA-1022, EVA-1646, and EVA-1646 Tandem needs to be replaced for direct mounting to gearbox. Otherwise, gearbox would fit direct onto actuator.