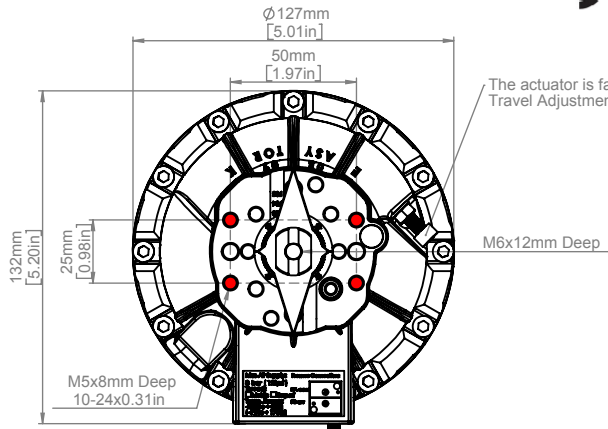


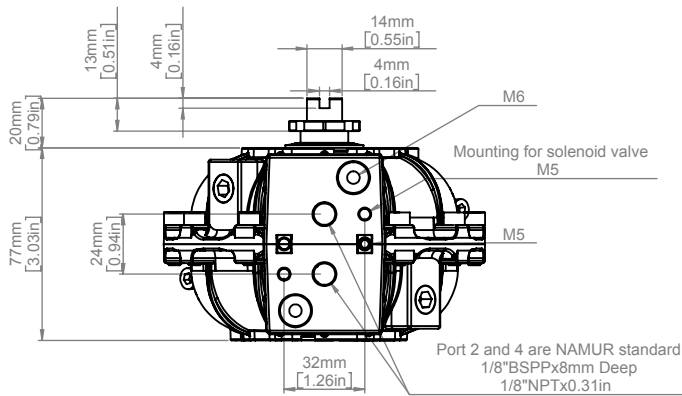
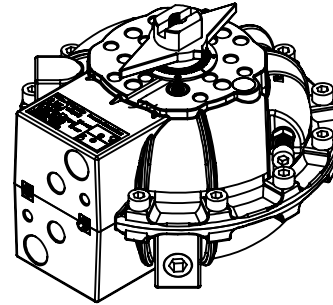
# EVA0309 Technical Data



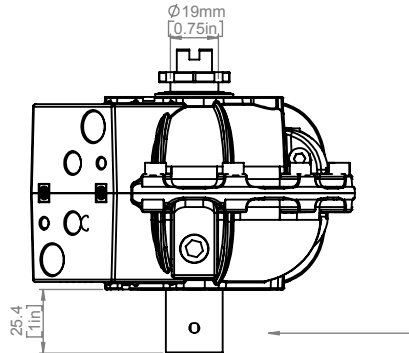
MOUNTING DIMENSIONS PER  
ISO 5211-2001(E)  
DIN 3337(OPTIONAL)  
NAMUR VDI/VE 3845



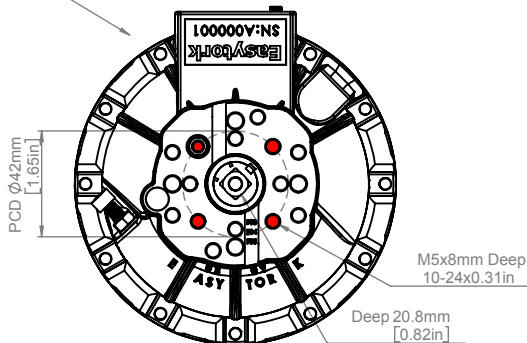
The actuator is factory adjusted to produce 90° rotation.  
Travel Adjustment +/- 5° per stopper bolt (2x per actuator)



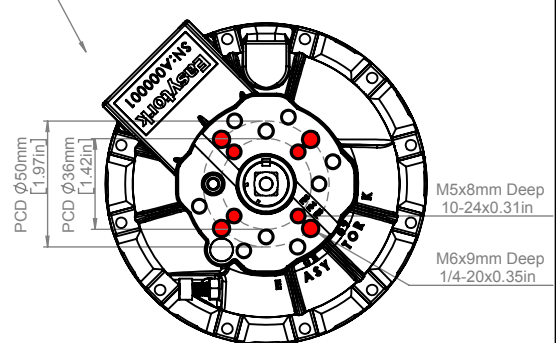
Semi Direct Mount-(With Optional Shaft)



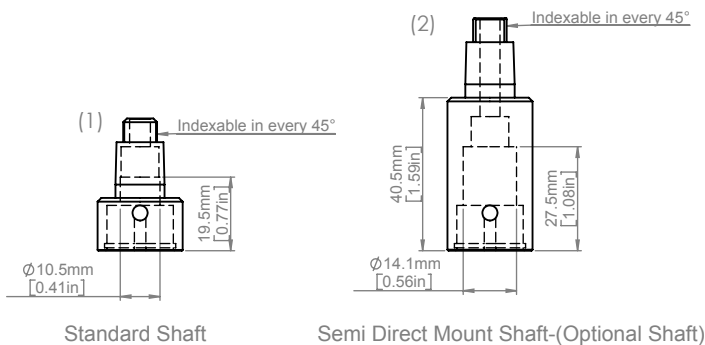
Model 0309 ISO F04 Pattern 0° Shift



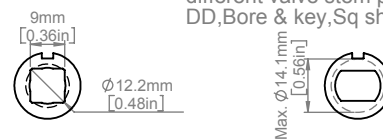
Model 0309 ISO F03/F05 Pattern 45° Shift



(1) & (2) Users can change the lower shaft



### Standard Insert



All actuators are fitted with adaptable drive inserts in order to accommodate different valve stem profiles. custom DD, Bore & key, Sq shape available

### Note:

- Output torque:  
195 In/Lb 22 Nm at 80 psi / 5.5 bar - Double Acting  
127 In/Lb 14.3 Nm at 80 psi / 5.5bar - Fail Safe
- Pressure rating 2-10 bar (30-150 psi)
- Actuator shown in full CW position
- Travel adjustment ±5° per stopper bolt
- Ancillaries attachment size AA0
- Weight 1.3 kgs (2.9 lbs)
- Air consumption per stroke at 5.5 bar (80psi)  
0.49L (30 cu-in)
- Standard Coating finish material: epoxy
- Temp range: Silicone vane seal -40°C to -120°C or -40°F to 248°F



2505 Metro Blvd, Suite A/B, Maryland Heights, 63043 USA  
info@easytork.com www.easytork.com