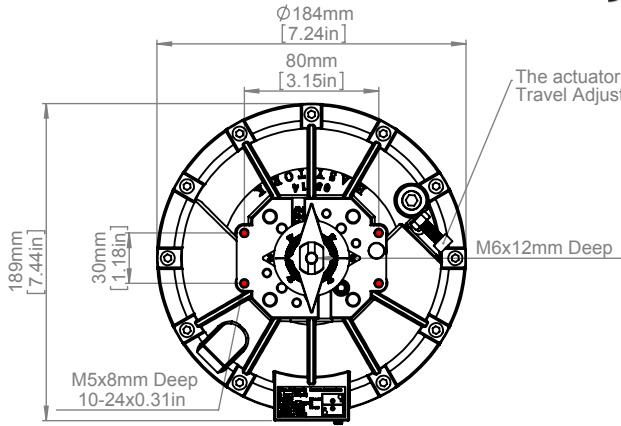


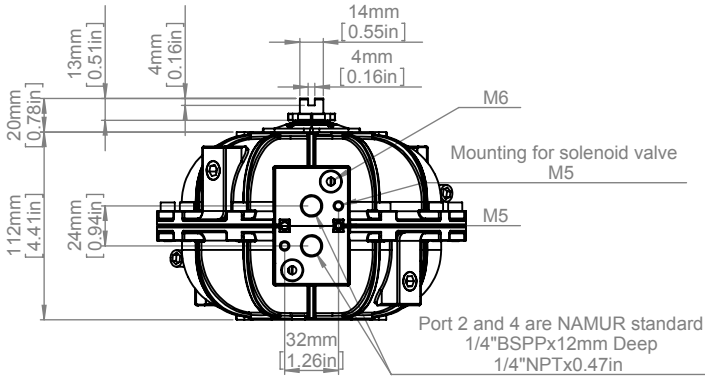
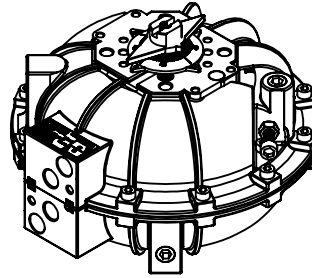
EVA0514 Technical Data



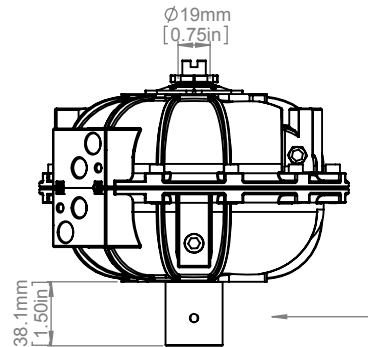
MOUNTING DIMENSIONS PER
ISO 5211-2001(E)
DIN 3337(OPTIONAL)
NAMUR VDI/VE 3845



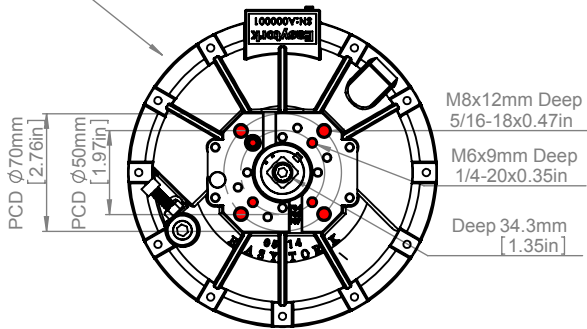
The actuator is factory adjusted to produce 90° rotation.
Travel Adjustment +/- 5° per stopper bolt (2x per actuator)



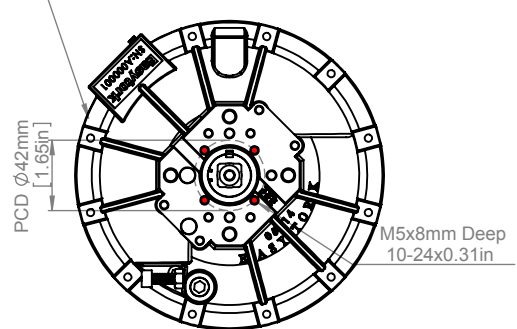
Semi Direct Mount-(With Optional Shaft)



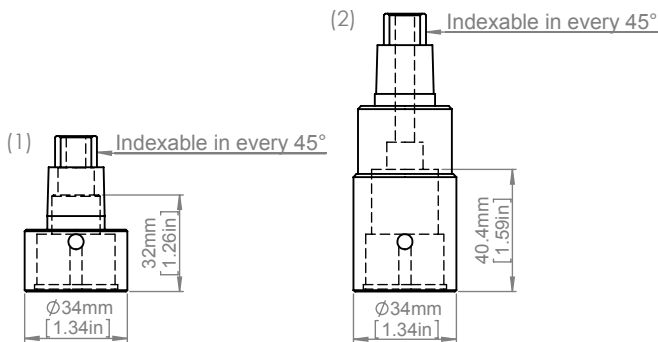
Model 0514 ISO F05/F07 Pattern 0° Shift



Model 0514 ISO F04 Pattern 45° Shift



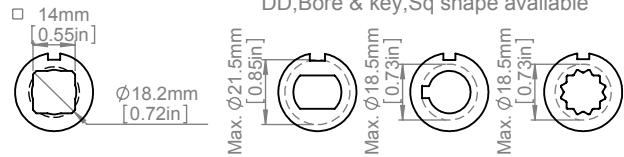
(1) & (2) Users can change the lower shaft



Standard Shaft

Semi Direct Mount Shaft-(Optional Shaft)

Standard Insert



All actuators are fitted with adaptable drive inserts in order to accommodate different valve stem profiles. custom DD, Bore & key, Sq shape available

Note:

- Output torque:
763 In/Lb 85.9 Nm at 80 psi / 5.5 bar - Double Acting
496 In/Lb 55.9 Nm at 80 psi / 5.5bar - Fail Safe
- Pressure rating 2-10 bar (30-150 psi)
- Actuator shown in full CW position
- Travel adjustment ±5° per stopper bolt
- Ancillaries attachment size AA1
- Weight 2.7 kgs (6.0 lbs)
- Air consumption per stroke at 5.5 bar (80psi)
1.95L (120 cu-in)
- Standard Coating finish material: epoxy
- Temp range: Silicone vane seal -40°C to -120°C or
-40°F to 248°F



2505 Metro Blvd, Suite A/B, Maryland Heights, 63043 USA
info@easytork.com www.easytork.com