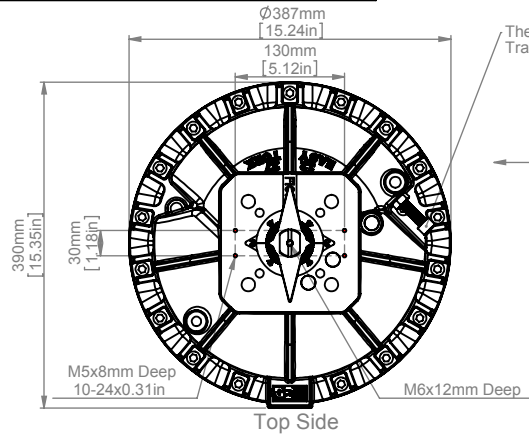


EVA1227 ISO Technical Data

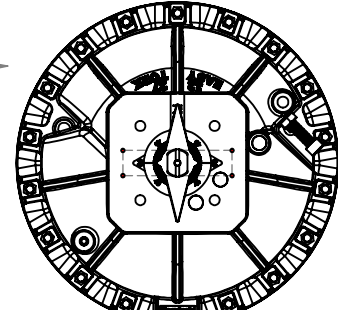
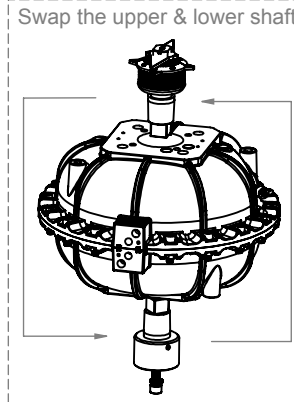


MOUNTING DIMENSIONS PER
ISO 5211-2001(E)
DIN 3337(OPTIONAL)
NAMUR VDI/VDE 3845

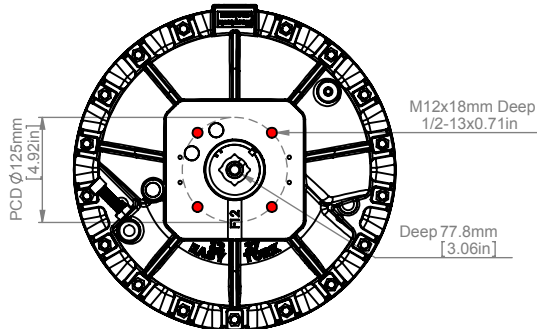


Top Side

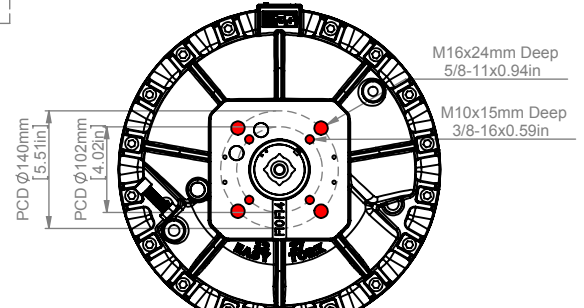
The actuator is factory adjusted to produce 90° rotation.
Travel Adjustment +/- 5° per stopper bolt (2x per actuator)



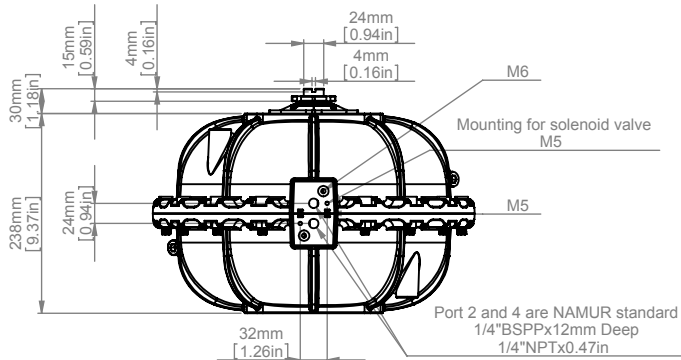
Top Side



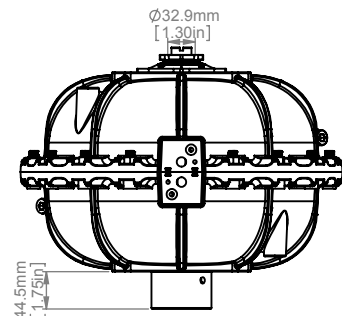
Bottom Side
Model 1227 F12 Pattern



Bottom Side
Model 1227 F10/F14 Pattern

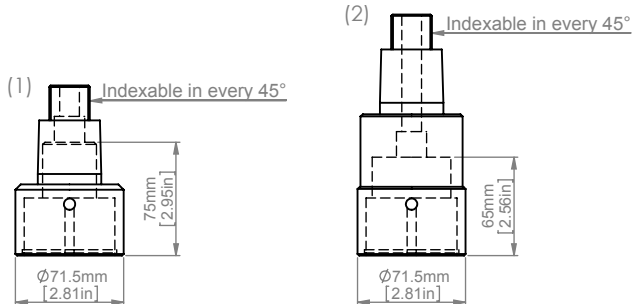


Unit Shown With Standard Shaft



Unit Shown With Optional Semi Direct Mount Shaft

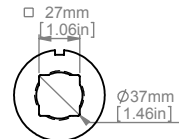
(1) & (2) Users can change the lower shaft



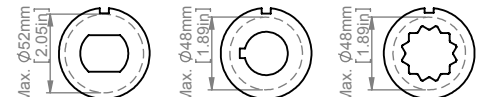
Standard Shaft

Semi Direct Mount Shaft-(Optional Shaft)

Standard Insert



All actuators are fitted with adaptable drive inserts in order to accommodate different valve stem profiles, custom DD, Bore & key, Sq shape available



Note:

- Output torque:
6103 In/Lb 687.5 Nm at 80 psi / 5.5 bar - Double Acting
3967 In/Lb 446.9 Nm at 80 psi / 5.5bar - Fail Safe
- Pressure rating 2-10 bar (30-150 psi)
- Actuator shown in full CW position
- Travel adjustment ±5° per stopper bolt
- Ancillaries attachment size AA3
- Weight 22.2 kgs (48.9 lbs)
- Air consumption per stroke at 5.5 bar (80psi)
15.6L (960 cu-in)
- Standard Coating finish material:epoxy
- Temp range:Silicone vane seal -40°C to -120°C or
-40°F to 248°F



2505 Metro Blvd, Suite A/B, Maryland Heights, 63043 USA
info@easytork.com www.easytork.com