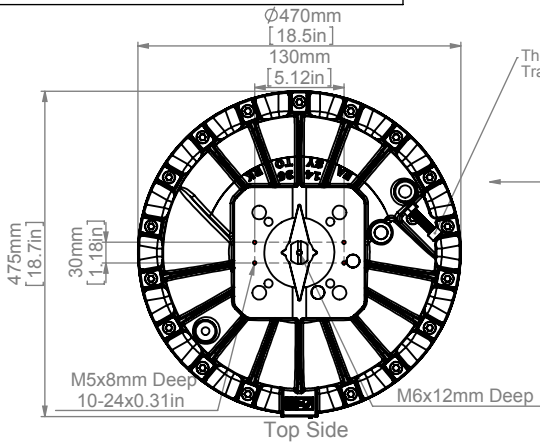


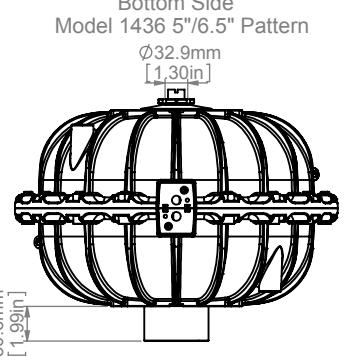
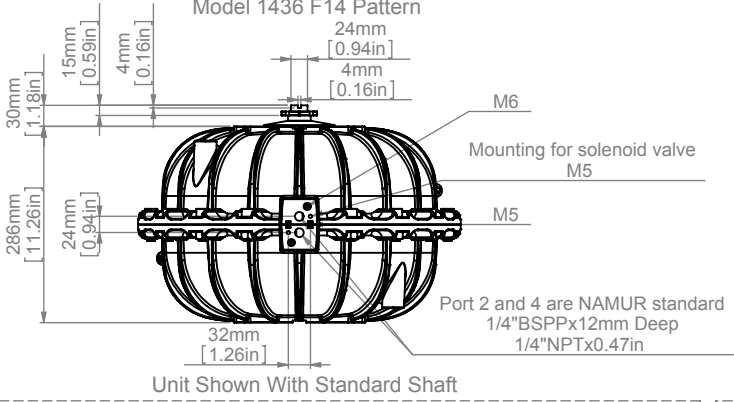
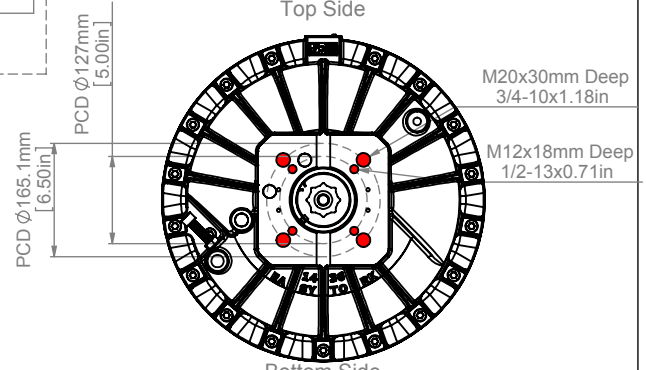
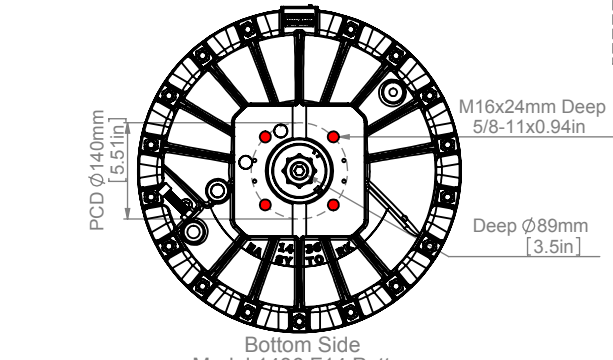
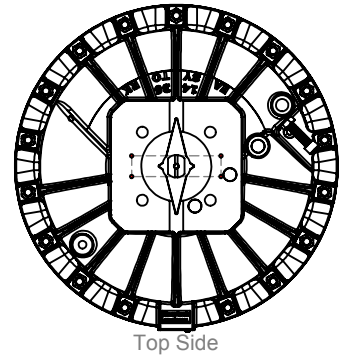
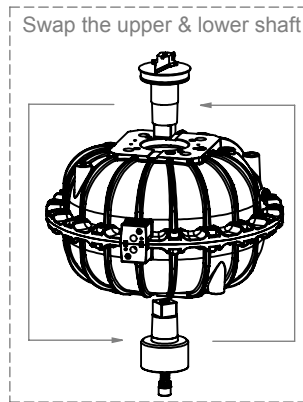
**EVA1436
ISO & NON ISO
Technical Data**



**MOUNTING DIMENSIONS PER
ISO 5211-2001(E)
DIN 3337(OPTIONAL)
NAMUR VDI/VDE 3845**



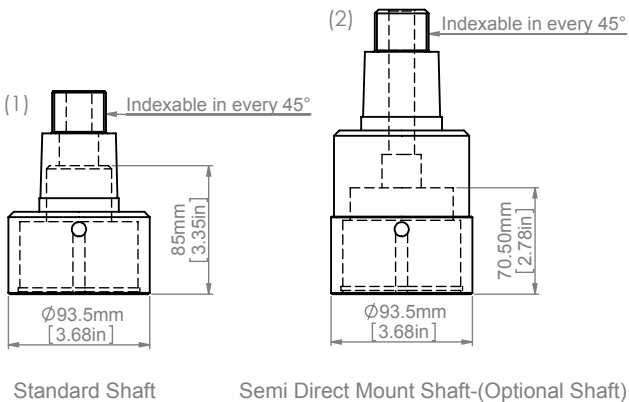
The actuator is factory adjusted to produce 90° rotation.
Travel Adjustment +/- 5° per stopper bolt (2x per actuator)



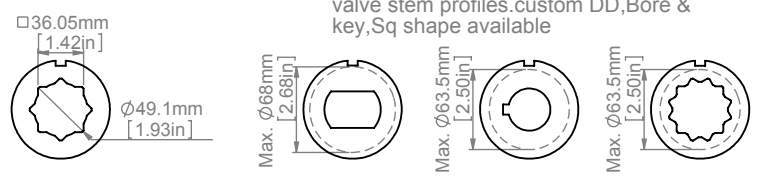
Unit Shown With Standard Shaft

Unit Shown With Optional Semi Direct Mount Shaft

(1) & (2) Users can change the lower shaft



Standard Insert



All actuators are fitted with adaptable drive inserts in order to accommodate different valve stem profiles. custom DD, Bore & key, Sq shape available

Note:

1. Output torque:
12205 In/Lb 1375 Nm at 80 psi / 5.5 bar - Double Acting
7933 In/Lb 893.8 Nm at 80 psi / 5.5bar - Fail Safe
2. Pressure rating 2-10 bar (30-150 psi)
3. Actuator shown in full CW position
4. Travel adjustment ±5° per stopper bolt
5. Ancillaries attachment size AA3
6. Weight 38.4 kgs (84.7 lbs)
7. Air consumption per stroke at 5.5 bar (80psi)
31.2L (1920 cu-in)
8. Standard Coating finish material: epoxy
9. Temp range: Silicone vane seal -40°C to -120°C or
-40°F to 248°F



2505 Metro Blvd, Suite A/B, Maryland Heights, 63043 USA
info@easytork.com www.easytork.com