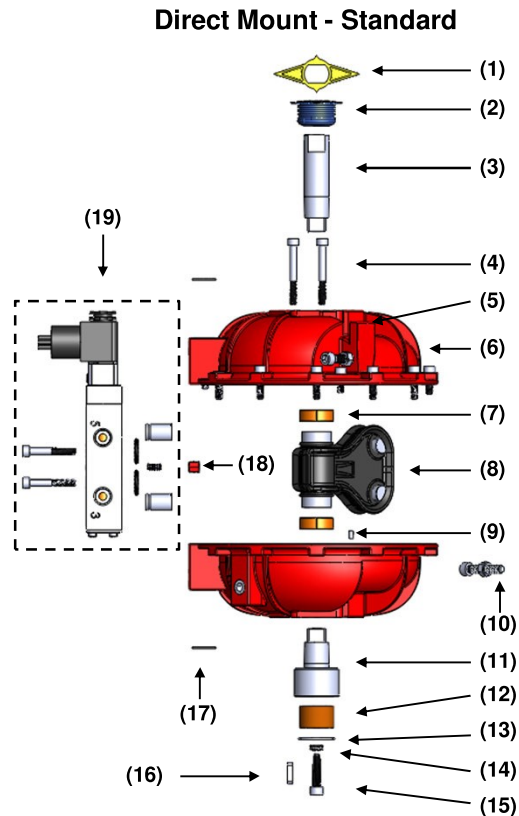


EVA Bill of Material



Ref No	Description	Standard Version	Chemical Version	Quantity
1	Yellow position & degree indicator	NBR	NBR	1
2	Blue graduated ring	NBR	NBR	1
3	Upper shaft	Nickel-plated steel	Stainless steel	1
4	Connecting bolt & nut	Stainless steel	Stainless steel	1 lot
5	Plug	Nickel-plated steel	Stainless steel	1 lot
6	Housing	Aluminum A383 / epoxy external & internal finish	Aluminum A383 / PTFE external & internal finish	2
7	Vane / shaft bearing	PTFE lined steel baked bronze bushing	PTFE lined steel baked bronze bushing	2
8	Vane / shaft assembly*	Stainless steel bonded with silicone	Stainless steel bonded with silicone	1
9	Location pin	Mild steel	Mild steel	2
10	Stopper bolt and nut set	Stainless steel	Stainless steel	2
11	Lower shaft	Nickel-plated steel	Stainless steel	1
12	Drive insert lower	Nickel-plated steel	Stainless steel	1
13	Drive insert circlip	Stainless steel	Stainless steel	1
14	Belleville washer	High tensile steel	High tensile steel	2
15	Shaft connect bolt	Stainless steel	Stainless steel	1
16	Drive insert key	Keysteel	Keysteel	1
17	Tag plate*	Stainless steel	Stainless steel	1
18	Locator insert*	Plastic	Plastic	2
19	Main solenoid valve	(See ESV for details)	(See ESV for details)	1

* Items marked with an asterisk are included in repair kit.