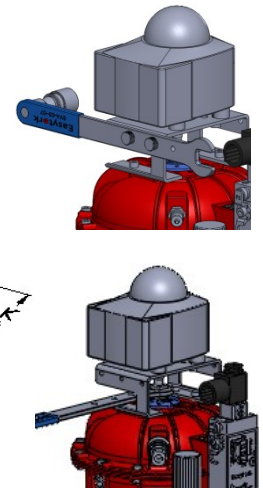
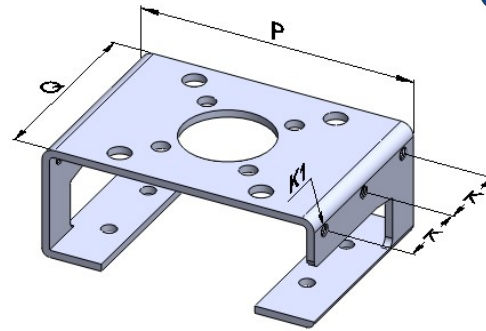
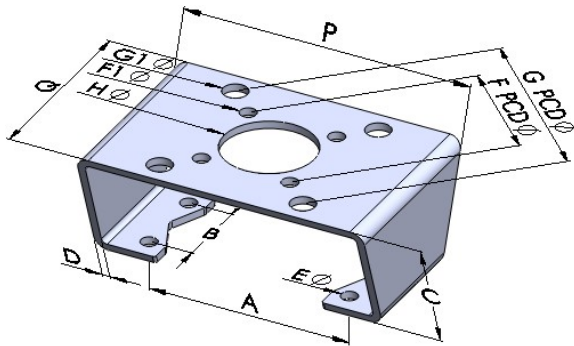


NAMUR Mounting Bracket



Limit Switch Bracket - Standard

Metric

Dimensions (mm)	Limit Switch Bracket Ordering Code		
	LB-2- 30x80mm- 45mm-X	LB-2- 30x80mm- 55mm-X	LB-2- 30x130mm- 55mm-X
A	80.0	80.0	130.0
B	30.0	30.0	30.0
C	45.0	55.0	55.0
D	3.0	3.0	3.0
E Ø	6.0	6.0	6.0
F PCD Ø	50.0	50.0	50.0
F1 Ø	7.0	7.0	7.0
G PCD Ø	80.8	80.8	80.8
G1 Ø	9.0	9.0	9.0
H Ø	36.0	36.0	36.0
P	114.5	114.5	165.0
Q	76.0	76.0	76.0

Imperial

Dimensions (inch)	Limit Switch Bracket Ordering Code		
	LB-2- 30x80mm- 45mm-X	LB-2- 30x80mm- 55mm-X	LB-2- 30x130mm- 55mm-X
A	3.15	3.15	5.12
B	1.18	1.18	1.18
C	1.77	2.17	2.17
D	0.12	0.12	0.12
E Ø	0.24	0.24	0.24
F PCD Ø	1.97	1.97	1.97
F1 Ø	0.28	0.28	0.28
G PCD Ø	3.18	3.18	3.18
G1 Ø	0.35	0.35	0.35
H Ø	1.42	1.42	1.42
P	4.51	4.51	6.50
Q	2.99	2.99	2.99

Limit Switch Bracket for Wrench Manual Override

Includes tapped hole to store wrench, and access space to allow wrench to turn upper shaft.

Metric

Dimensions (mm)	Limit Switch Bracket Ordering Code	
	LB-2-25x50mm- 45mm-WR	LB-2-30x80mm- 45mm-WR
A	50.0	80.0
B	25.0	30.0
C	45.0	45.0
D	3.0	3.0
E Ø	6.0	6.0
F PCD Ø	50.0	50.0
F1 Ø	7.0	7.0
G PCD Ø	80.8	80.8
G1 Ø	9.0	9.0
H Ø	36.0	36.0
P	100.0	110.0
Q	76.0	76.0
K	25.0	30.0
K1	M5	M5

Imperial

Dimensions (inch)	Limit Switch Bracket Ordering Code	
	LB-2-25x50mm- 45mm-WR	LB-2-30x80mm- 45mm-WR
A	1.97	3.15
B	0.98	1.18
C	1.77	1.77
D	0.12	0.12
E Ø	0.24	0.24
F PCD Ø	1.97	1.97
F1 Ø	0.28	0.28
G PCD Ø	3.18	3.18
G1 Ø	0.35	0.35
H Ø	1.42	1.42
P	3.94	4.33
Q	2.99	2.99
K	0.98	1.18
K1	M5	M5