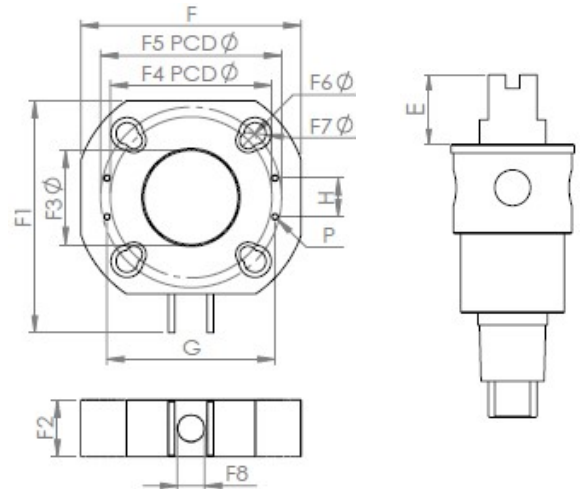
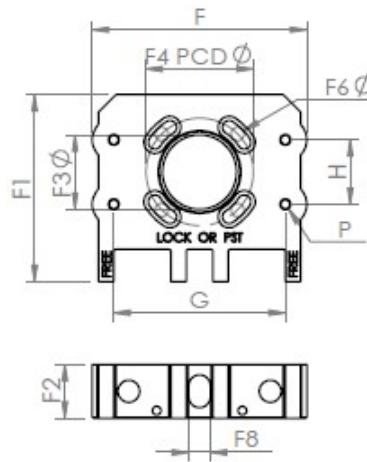
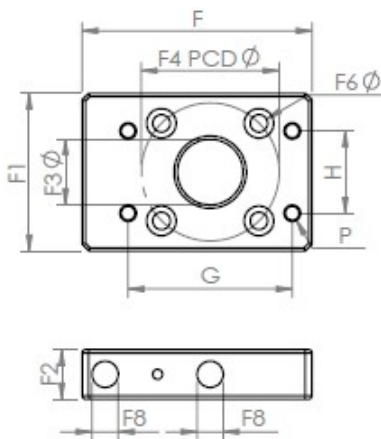


# Lockout and Partial Stroke Test Device Dimensions

EVA-0309 to EVA-0411

EVA-0514 to EVA-0717

EVA-1022 to EVA-1436



## Metric

Dimensions (mm)	Model						
	EVA-0309	EVA-0411	EVA-0514	EVA-0717	EVA-1022	EVA-1227	EVA-1436
F	70.0	70.0	100.0	120.0	120.0	170.0	190.0
F1	48.0	48.0	87.0	120.0	110.0	150.0	180.0
F2	15.0	15.0	25.0	30.0	30.0	44.0	44.0
F3 Ø	20.0	20.0	34.5	41.0	55.0	73.0	94.0
F4 PCD Ø	42.0	42.0	50.0	70.0	70.0	125.0	140.0
F5 PCD Ø	-	-	-	-	102.0	140.0	165.0
F6	5.3	5.3	6.2	8.2	8.4	13.0	17.0
F7	-	-	-	-	10.5	17.0	21.0
F8	8.0	8.0	10.2	12.2	17.0	21.0	25.0

## Actuator Dimensions of Accessories Flange

G	50.0	50.0	80.0	80.0	80.0	130.0	130.0
H	25.0	25.0	30.0	30.0	30.0	30.0	30.0
E	20.0	20.0	20.0	20.0	30.0	30.0	30.0
P	M5x8	M5x8	M5x8	M5x8	M5x8	M5x8	M5x8

## Imperial

Dimensions (inch)	Model						
	EVA-0309	EVA-0411	EVA-0514	EVA-0717	EVA-1022	EVA-1227	EVA-1436
F	2.76	2.76	3.94	4.72	4.72	6.69	7.48
F1	1.89	1.89	3.43	4.72	4.33	5.91	7.09
F2	0.59	0.59	0.98	1.18	1.18	1.73	1.73
F3 Ø	0.79	0.79	1.36	1.61	2.17	2.87	3.70
F4 PCD Ø	1.65	1.65	1.97	2.76	2.76	4.92	5.51
F5 PCD Ø	-	-	-	-	4.02	5.51	6.50
F6	0.21	0.21	0.24	0.32	0.33	0.51	0.67
F7	-	-	-	-	0.41	0.67	0.83
F8	0.31	0.31	0.40	0.48	0.67	0.83	0.98

## Actuator Dimensions of Accessories Flange

G	1.97	1.97	3.15	3.15	3.15	5.12	5.12
H	0.98	0.98	1.18	1.18	1.18	1.18	1.18
E	0.79	0.79	0.79	0.79	1.18	1.18	1.18
P	10-24UNC	10-24UNC	10-24UNC	10-24UNC	10-24UNC	10-24UNC	10-24UNC

**Patents: Lockout and Partial Stroke Test Device**

China =278493 Taiwan =  
M447275, other countries  
pending