

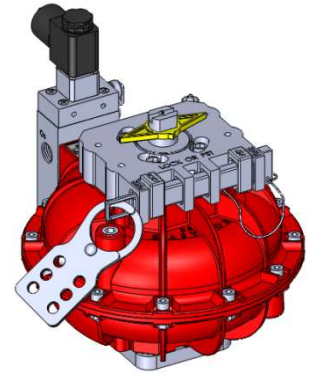
# Lockout and Partial Stroke Test Device – Manual or Remote

Lockout & Partial Stroke Test (“PST”) device can be purchased as a kit and is easily adapted to EVA actuators and control system. With the unique vane shaft design, this mechanical device is available for both manual or remote operation.

PST mechanically blocks movement to assure that there is no overshoot of test angle. This mechanical design does not use complicated software or fragile wiring and is failure free even with frequent PST testing.

Other benefits include:

- No added hysteresis, no pinch point and compact.
- Lockout and PST device does not affect the interfaces of actuator/valve or the attachments of ancillaries.
- Same unit for either Lockout or PST setup options.
- Pin can be safely secured with keeper chain and lockable on the device.

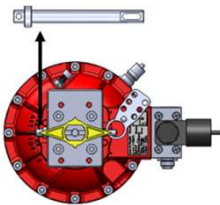
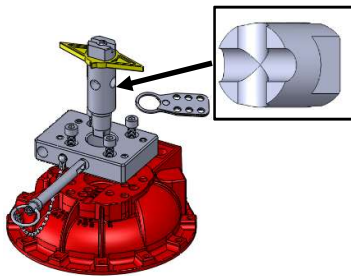


## Standards

Lockout device fully complies with OSHA 1910.147 guidelines. This device allows for the ability to simply lockout valve and actuators in both the fully open and fully closed positions.

PST device is intended to help users comply with industry standards such as ISA S84 & IEC61508/61511 for emergency shutdown valve.

### EVA-0309 to EVA-0411



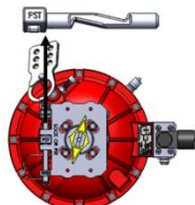
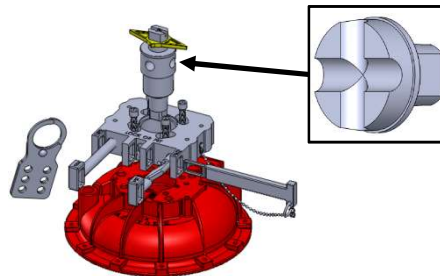
#### PST Setup

PST not available.

#### Lockout Setup

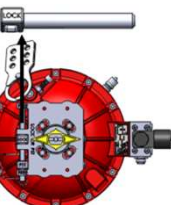
Lockable in open or close position.

### EVA-0514 to EVA-0717



#### PST Setup

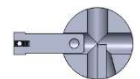
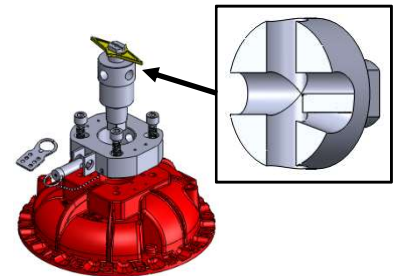
PST in open position.  
Lockable in close position.



#### Lockout Setup

Lockable in open or close position.

### EVA-1022 to EVA-1436



#### PST Setup

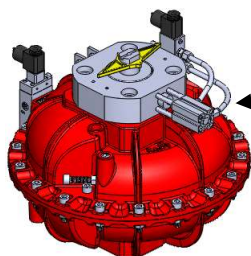
PST in open position.  
Lockable in close position.

#### Lockout Setup

Lockable in open or close position.

### Remote Lockout or PST Device (Available For EVA-0514 through EVA-1436 Only)

Non-stock item, consult with Easytork.



Linear actuator driving pin into lockout & PST device

#### Easytork’s Remote Lockout or PST Device benefits:

- 100% assurance against over closure during testing
- Applies 100% actuator torque
- Remote routine PST can be easily programed
- Simple control loop
- No software, no calibration and minimal personnel training
- Ideal for torque seated high performance butterfly valve

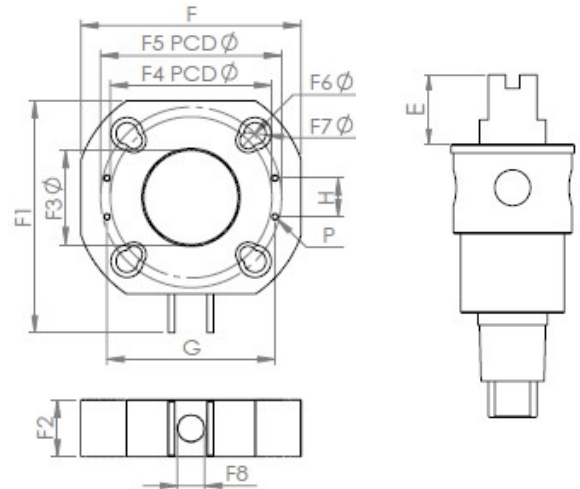
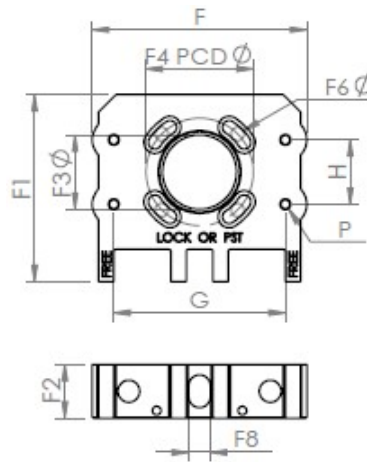
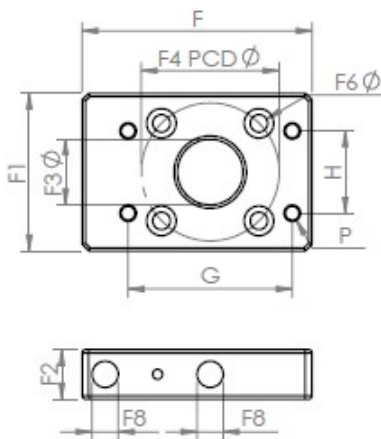
Note: Stock standard LPST kit in non-chemical resistant material.

# Lockout and Partial Stroke Test Device Dimensions

EVA-0309 to EVA-0411

EVA-0514 to EVA-0717

EVA-1022 to EVA-1436



## Metric

Dimensions (mm)	Model						
	EVA-0309	EVA-0411	EVA-0514	EVA-0717	EVA-1022	EVA-1227	EVA-1436
F	70.0	70.0	100.0	120.0	120.0	170.0	190.0
F1	48.0	48.0	87.0	120.0	110.0	150.0	180.0
F2	15.0	15.0	25.0	30.0	30.0	44.0	44.0
F3 Ø	20.0	20.0	34.5	41.0	55.0	73.0	94.0
F4 PCD Ø	42.0	42.0	50.0	70.0	70.0	125.0	140.0
F5 PCD Ø	-	-	-	-	102.0	140.0	165.0
F6	5.3	5.3	6.2	8.2	8.4	13.0	17.0
F7	-	-	-	-	10.5	17.0	21.0
F8	8.0	8.0	10.2	12.2	17.0	21.0	25.0

## Actuator Dimensions of Accessories Flange

G	50.0	50.0	80.0	80.0	80.0	130.0	130.0
H	25.0	25.0	30.0	30.0	30.0	30.0	30.0
E	20.0	20.0	20.0	20.0	30.0	30.0	30.0
P	M5x8	M5x8	M5x8	M5x8	M5x8	M5x8	M5x8

## Imperial

Dimensions (inch)	Model						
	EVA-0309	EVA-0411	EVA-0514	EVA-0717	EVA-1022	EVA-1227	EVA-1436
F	2.76	2.76	3.94	4.72	4.72	6.69	7.48
F1	1.89	1.89	3.43	4.72	4.33	5.91	7.09
F2	0.59	0.59	0.98	1.18	1.18	1.73	1.73
F3 Ø	0.79	0.79	1.36	1.61	2.17	2.87	3.70
F4 PCD Ø	1.65	1.65	1.97	2.76	2.76	4.92	5.51
F5 PCD Ø	-	-	-	-	4.02	5.51	6.50
F6	0.21	0.21	0.24	0.32	0.33	0.51	0.67
F7	-	-	-	-	0.41	0.67	0.83
F8	0.31	0.31	0.40	0.48	0.67	0.83	0.98

## Actuator Dimensions of Accessories Flange

G	1.97	1.97	3.15	3.15	3.15	5.12	5.12
H	0.98	0.98	1.18	1.18	1.18	1.18	1.18
E	0.79	0.79	0.79	0.79	1.18	1.18	1.18
P	10-24UNC	10-24UNC	10-24UNC	10-24UNC	10-24UNC	10-24UNC	10-24UNC

**Patents: Lockout and Partial Stroke Test Device**

China =278493 Taiwan =  
M447275, other countries  
pending