

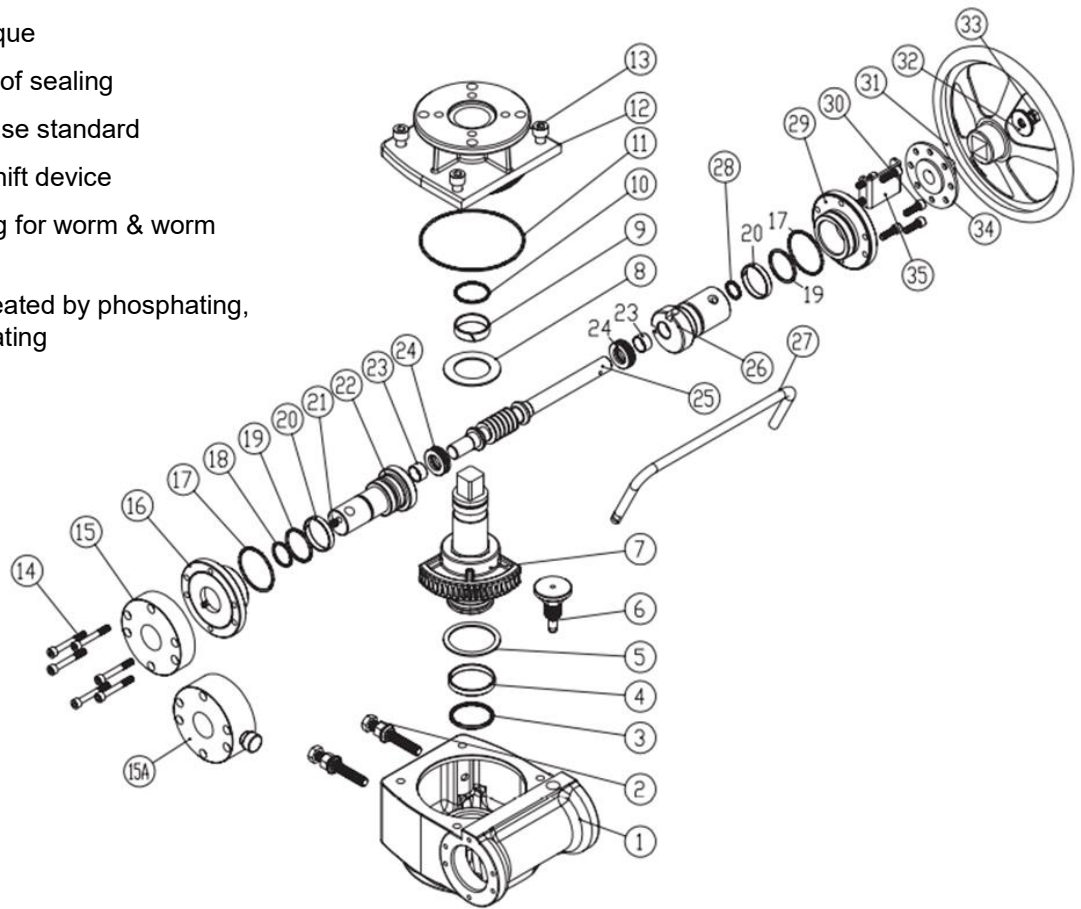
Declutchable Gear



EGO Series Declutchable Gearbox: Overview / BOM

Overview

- High strength and torque
- IP67 solid weatherproof sealing
- ISO5211 mounting base standard
- Auto – manual safe shift device
- Self lubricated bearing for worm & worm gear
- WCB body surface treated by phosphating, epoxy & polyester coating

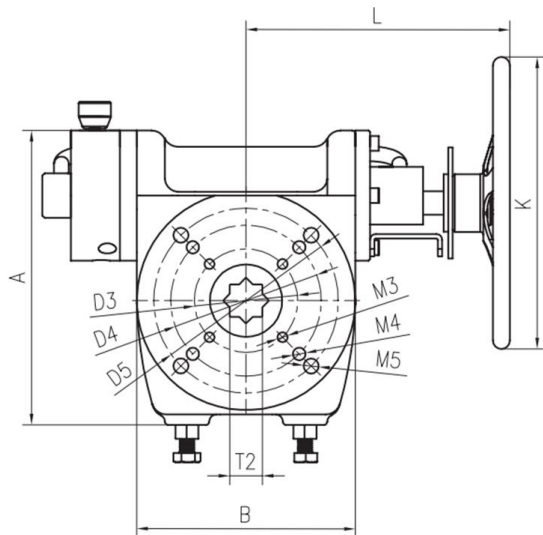


Ref No	Description	Qty	Material
1	Body	1	WCB
2	Adjust Bolt	2	304
3	O-ring	1	NBR
4	Bearing	1	POM
5	Bearing	1	POM
6	Positioning unit	1	45
7	Shaft	1	45
8	Washer	1	POM
9	Bearing	1	POM
10	O-ring	1	NBR
11	O-ring	1	NBR
12	Cap	1	WCB
13	Screw	4	304
14	Screw	6	304
15	Cap	1	45
17	O-ring	2	NBR

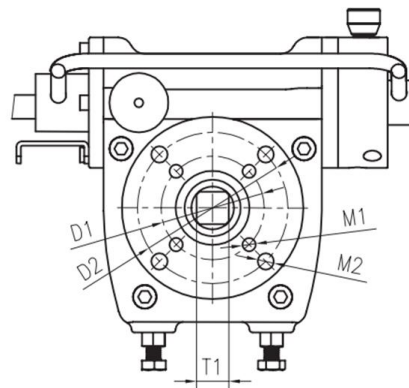
Ref No	Description	Qty	Material
18	O-ring	1	NBR
19	O-ring	2	NBR
20	Eccentric axle bearing	2	POM
21	Bolt	1	304
22	Eccentric half axle	1	45
23	Bearing	2	Cu
24	Thrust ball bearing	2	Steel
25	Worm shaft	1	45
26	Eccentric half axle	1	45
27	Shift handle	1	45
28	O-ring	1	NBR
29	Cap	1	45
30	Screw	6	304
31	Hand wheel	1	20
32	Washer	1	20
33	Bolt	1	304

EGO Series Declutchable Gearbox: Dimensions

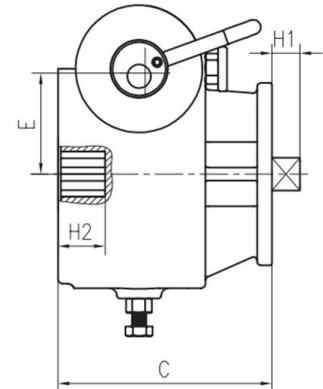
**Gear to Valve Side
(Bottom)**



**Gear to Actuator Side
(Top)**



**To Actuator →
← To Valve**



Imperial	Torque		Dimensions (inch)															
			Gear-Valve Interface			Gear Dimension						Gear-Actuator Interface						
Model	Input	Output	D3.D4.D5	T2	H2	A	B	C	E	L	K	J	D1	D2	T1	H1	M1	M2
K-EGO-015B	195	1,770	F05/F07	□ 0.67	0.98	4.7	3.9	4.1	1.8	4.7	φ 7.9	1/4" NPT	F05	F07	□ 0.67	□ 0.55	φ 0.28	φ 0.35
K-EGO-060	372	5,310	F07/F10	□ 1.06	1.18	7.6	5.8	5.7	2.8	6.9	φ 7.9	1/4" NPT	F07	F10	□ 0.87	□ 0.75	φ 0.35	φ 0.43
K-EGO-090A	620	7,965	F07/F10/F12	□ 1.06	1.18	7.6	5.8	5.7	2.8	7.0	φ 9.8	1/4" NPT	F07	F10	□ 1.06	□ 0.75	φ 0.35	φ 0.43
K-EGO-090B	850	10,620	F07/F10/F12	□ 1.06	1.18	7.6	5.8	5.7	2.8	7.1	φ 11.8	1/4" NPT	F07	F10	□ 1.06	□ 0.75	φ 0.35	φ 0.43
K-EGO-160A	708	14,160	F10/F12	□ 1.42	1.57	10.2	7.7	7.5	4.2	10.6	φ 13.8	1/4" NPT	F10	F12	□ 1.42	□ 1.34	φ 0.43	φ 0.51
K-EGO-0160B	885	17,700	F10/F12	□ 1.42	1.57	10.2	7.7	7.5	4.2	10.7	φ 15.7	1/4" NPT	F10	F12	□ 1.42	□ 1.34	φ 0.43	φ 0.51
K-EGO-350A	1,682	29,205	F12/F16	□ 1.81	6.93	13.1	10.0	7.1	4.8	10.7	φ 23.6	1/4" NPT	F16	-	□ 1.81	□ 1.77	φ 0.87	-
K-EGO-350B	2,036	35,400	F12/F16	□ 1.81	6.93	13.1	10.0	7.1	4.8	10.8	φ 27.6	1/4" NPT	F16	-	□ 1.81	□ 1.77	φ 0.87	-
K-EGO-700	974	61,950	F16/F25	□ 1.81	7.72	15.3	11.7	9.8	6.1	16.5	φ 19.7	1/2" NPT	F16	F25	□ 1.81/□ 2.17	□ 1.77	φ 0.87	φ 0.51

Metric	Torque		Dimensions (mm)															
			Gear-Valve Interface			Gear Dimension						Gear-Actuator Interface						
Model	Input	Output	D3.D4.D5	T2	H2	A	B	C	E	L	K	J	D1	D2	T1	H1	M1	M2
K-EGO-015B	22	200	F05/F07	□ 17	25	120	100	104	44.5	120	φ 200	1/4" NPT	F05	F07	□ 17	14	φ 7	φ 9
K-EGO-060	42	600	F07/F10	□ 27	30	192	148	145	71	175	φ 200	1/4" NPT	F07	F10	□ 22	19	φ 9	φ 11
K-EGO-090A	70	900	F07/F10/F12	□ 27	30	192	148	145	71	178	φ 250	1/4" NPT	F07	F10	□ 27	19	φ 9	φ 11
K-EGO-090B	96	1,200	F07/F10/F12	□ 27	30	192	148	145	71	181	φ 300	1/4" NPT	F07	F10	□ 27	19	φ 9	φ 11
K-EGO-160A	80	1,600	F10/F12	□ 36	40	260	196	192	107.5	268	φ 350	1/4" NPT	F10	F12	□ 36	34	φ 11	φ 13
K-EGO-0160B	100	2,000	F10/F12	□ 36	40	260	196	192	107.5	272	φ 400	1/4" NPT	F10	F12	□ 36	34	φ 11	φ 13
K-EGO-350A	190	3,300	F12/F16	□ 46	176	334	255	181	123	272	φ 600	1/4" NPT	F16	-	□ 46	45	φ 22	-
K-EGO-350B	230	4,000	F12/F16	□ 46	176	334	255	181	123	275	φ 700	1/4" NPT	F16	-	□ 46	45	φ 22	-
K-EGO-700	110	7,000	F16/F25	□ 46	196	389	297	249	156	418	φ 500	1/2" NPT	F16	F25	□ 46 / □ 55	45	φ 22	φ 13

Ordering Codes

Easytork Declutchable Direct Mount Gear Operator

<u>Prefix</u>	<u>Product Type</u>	<u>Model Number</u>
K	- EGO	- X

		Model Number	Output Torque		To Valve Dimension	
			(in-lb)	Direct Mount to Actuator	ISO	Drive
K: Kit	EGO: Declutchable Manual Override Gear Operator	015B	1,770	0514 / 0717 / 1022	F05/F07	17mm ssq
		060	5,310	0717 / 1022 / 1227	F07/F10/F12	27mm ssq
		090A	7,965	1022 / 1227	F07/F10/F12	27mm ssq
		090B	10,620	1022 / 1227	F07/F10/F12	27mm ssq
		160A	14,160	1227 / 1436	F10/F12	36mm ssq
		0160B	17,700	1227 / 1436	F10/F12	36mm ssq
		350A	29,205	1436 / 1646	F12/F16	46mm ssq
		350B	35,400	1436 / 1646	F12/F16	46mm ssq
		700	61,950	1436 / 1646	F16/F25	46mm ssq

About	Global Headquarters
<p>We believe in selling “easy”. Easytork brings differentiating features and benefits to the process control industry through our focus on innovation and quality. Easytork has been awarded numerous awards including:</p> <p>2013 – Arch Grants Recipient</p> <p>2015 – Accelerate St. Louis</p> <p>2017 – Frost & Sullivan Product Innovation Award</p>	<p>2505 Metro Blvd, Suite A / B Maryland Heights, MO 63043 USA</p> <p>Main Tel: +1-314-266-0670 Main Fax: +1-314-222-7057 info@easytork.com www.easytork.com</p>