

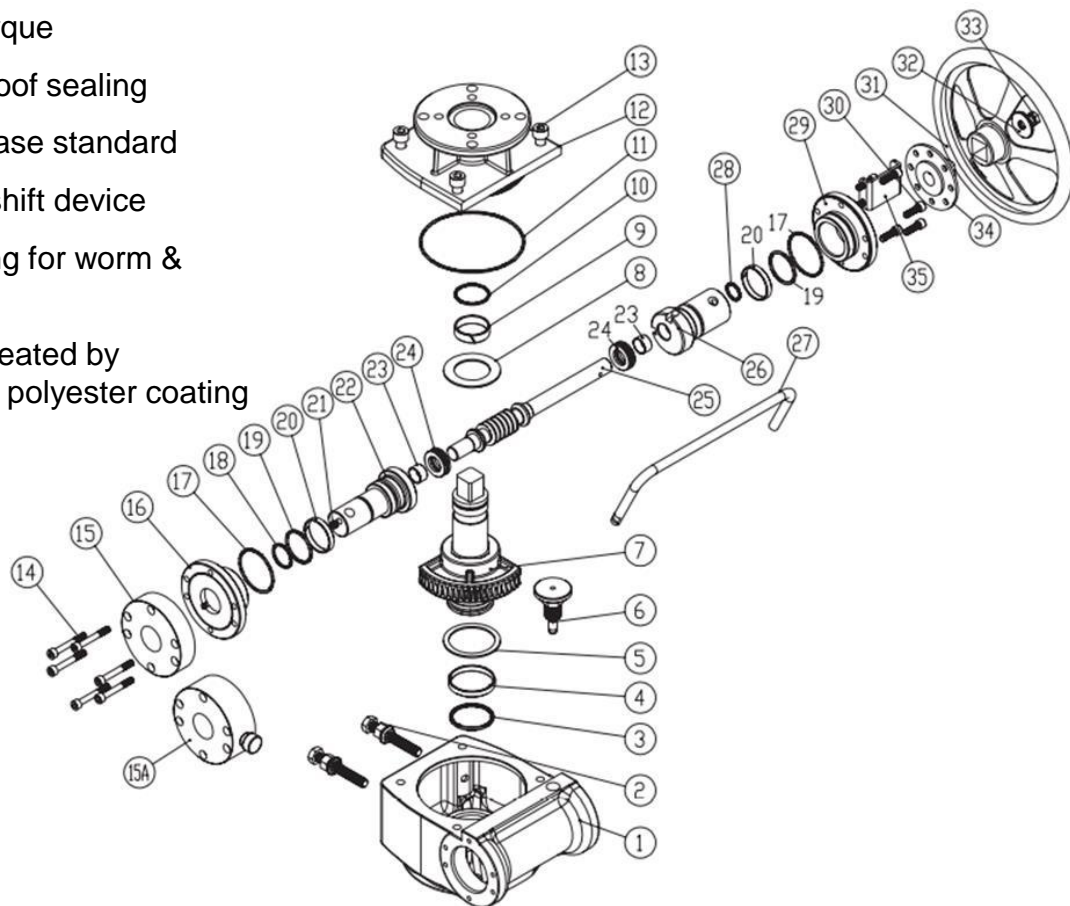
## Declutchable Gear



# EGO Series Declutchable Gearbox: Overview / BOM

## Overview

- High strength and torque
- IP67 solid weatherproof sealing
- ISO5211 mounting base standard
- Auto – manual safe shift device
- Self lubricated bearing for worm & worm gear
- WCB body surface treated by phosphating, epoxy & polyester coating



Ref No	Description	Qty	Material
--------	-------------	-----	----------

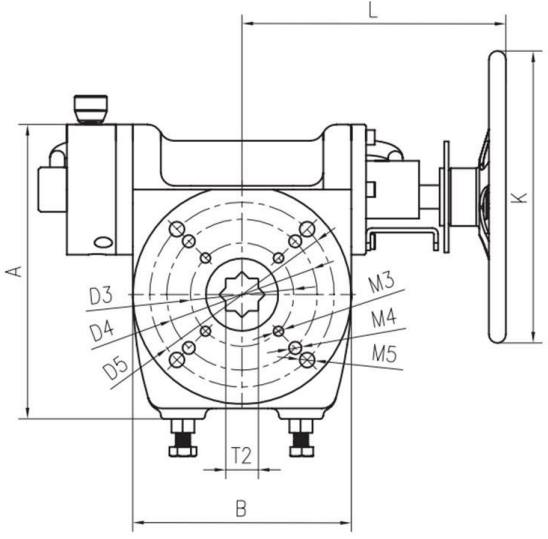
1	Body	1	WCB
2	Adjust Bolt	2	SS304
3	O-ring	1	NBR
4	Bearing	1	POM
5	Bearing	1	POM
6	Positioning unit	1	CS
7	Shaft	1	CS
8	Bearing	1	POM
9	Bearing	1	POM
10	O-ring	1	NBR
11	O-ring	1	NBR
12	Cap	1	WCB
13	Screw	4	SS304
14	Screw	6	SS304
15	Cap	1	CS
17	O-ring	2	NBR

Ref No	Description	Qty	Material
--------	-------------	-----	----------

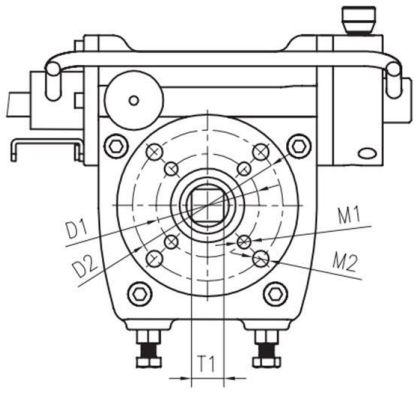
18	O-ring	1	NBR
19	O-ring	2	NBR
20	Eccentric axle bear	2	POM
21	Bolt	1	SS304
22	Eccentric half axle	1	CS
23	Bearing	2	Cu
24	Thrust ball bearing	2	bearing steel
25	Worm shaft	1	CS
26	Eccentric half axle	1	CS
27	Shift handle	1	SS304
28	O-ring	1	NBR
29	Cap	1	CS
30	Screw	6	SS304
31	Hand wheel	1	D1/20
32	Washer	1	CS
33	Bolt	1	SS304

# EGO Series Declutchable Gearbox: Dimensions

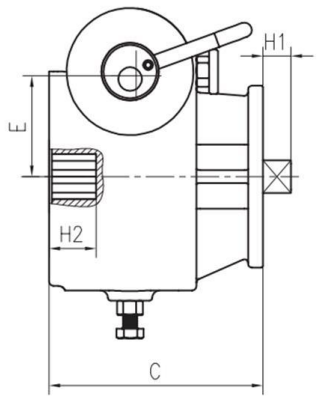
**Gear to valve side  
(Bottom)**



**Gear to actuator side  
(Top)**



**To actuator →  
← To valve**



Imperial	Torque		Dimensions (inch)															
			Gear-Valve Interface				Gear Dimension						Gear-Actuator Interface					
Model	Input	Output	D3.D4.D5	T2	H2	A	B	C	E	L	K	J	D1	D2	T1	H1	M1	M2
K-EGO-015B	195	1,770	F05/F07	□ 0.67	0.75	4.7	3.9	4.1	1.8	4.7	φ 7.9	1/4" NPT	F05	F07	□ 0.67	□ 0.67	φ 0.28	φ 0.35
K-EGO-060	372	5,310	F07/F10/F12	□ 1.06	1.14	7.6	5.8	5.7	2.8	6.9	φ 7.9	1/4" NPT	F07	F10	□ 0.87	□ 0.87	φ 0.35	φ 0.43
K-EGO-090A	620	7,965	F07/F10/F12	□ 1.06	1.14	7.6	5.8	5.7	2.8	7.0	φ 9.8	1/4" NPT	F07	F10	□ 1.06	□ 1.10	φ 0.35	φ 0.43
K-EGO-090B	850	10,620	F07/F10/F12	□ 1.06	1.14	7.6	5.8	5.7	2.8	7.1	φ 11.8	1/4" NPT	F07	F10	□ 1.06	□ 1.10	φ 0.35	φ 0.43
K-EGO-160A	708	14,160	F10/F12	□ 1.42	1.50	10.2	7.7	7.5	4.2	10.6	φ 13.8	1/4" NPT	F10	F12	□ 1.42	□ 1.34	φ 0.43	φ 0.51
K-EGO-160B	885	17,700	F10/F12	□ 1.42	1.50	10.2	7.7	7.5	4.2	10.7	φ 15.7	1/4" NPT	F10	F12	□ 1.42	□ 1.34	φ 0.43	φ 0.51
K-EGO-350A	1,682	29,205	F12/F16	□ 1.81	6.93	13.1	10.0	7.1	4.8	10.7	φ 23.6	1/4" NPT	F16	-	□ 1.81	□ 1.77	φ 0.87	-
K-EGO-350B	2,036	35,400	F12/F16	□ 1.81	6.93	13.1	10.0	7.1	4.8	10.8	φ 27.6	1/4" NPT	F16	-	□ 1.81	□ 1.77	φ 0.87	-
K-EGO-700	974	61,950	F16/F25	□ 1.81	7.72	15.3	11.7	9.8	6.1	16.5	φ 19.7	1/2" NPT	F16	F25	□ 1.81/□ 2.17	□ 1.77	φ 0.87	φ 0.51

Metric	Torque		Dimensions (mm)															
			Gear-Valve Interface				Gear Dimension						Gear-Actuator Interface					
Model	Input	Output	D3.D4.D5	T2	H2	A	B	C	E	L	K	J	D1	D2	T1	H1	M1	M2
K-EGO-015B	22	200	F05/F07	□ 17	19	120	100	104	44.5	120	φ 200	1/4" NPT	F05	F07	□ 17	17	φ 7	φ 9
K-EGO-060	42	600	F07/F10/F12	□ 27	29	192	148	145	71	175	φ 200	1/4" NPT	F07	F10	□ 22	22	φ 9	φ 11
K-EGO-090A	70	900	F07/F10/F12	□ 27	29	192	148	145	71	178	φ 250	1/4" NPT	F07	F10	□ 27	28	φ 9	φ 11
K-EGO-090B	96	1,200	F07/F10/F12	□ 27	29	192	148	145	71	181	φ 300	1/4" NPT	F07	F10	□ 27	28	φ 9	φ 11
K-EGO-160A	80	1,600	F10/F12	□ 36	38	260	196	192	107.5	268	φ 350	1/4" NPT	F10	F12	□ 36	34	φ 11	φ 13
K-EGO-160B	100	2,000	F10/F12	□ 36	38	260	196	192	107.5	272	φ 400	1/4" NPT	F10	F12	□ 36	34	φ 11	φ 13
K-EGO-350A	190	3,300	F12/F16	□ 46	176	334	255	181	123	272	φ 600	1/4" NPT	F16	-	□ 46	45	φ 22	-
K-EGO-350B	230	4,000	F12/F16	□ 46	176	334	255	181	123	275	φ 700	1/4" NPT	F16	-	□ 46	45	φ 22	-
K-EGO-700	110	7,000	F16/F25	□ 46	196	389	297	249	156	418	φ 500	1/2" NPT	F16	F25	□ 46 / □ 55	45	φ 22	φ 13

# Ordering Codes

## Easytork Declutchable Direct Mount Gear Operator

Prefix      Product Type      Model Number

**K - EGO - X**

		Model Number	Output Torque		To Valve Dimension	
			(in-lb)	Direct Mount to Actuator	ISO	Drive
K: Kit	EGO: Declutchable Manual Override Gear Operator	<b>015B</b>	1,770	0514 / 0717 / 1022	F05/F07	17mm sq
		<b>060</b>	5,310	0717 / 1022 / 1227	F07/F10/F12	27mm sq
		<b>090A</b>	7,965	1022 / 1227	F07/F10/F12	27mm sq
		<b>090B</b>	10,620	1022 / 1227	F07/F10/F12	27mm sq
		<b>160A</b>	14,160	1227 / 1436	F10/F12	36mm sq
		<b>160B</b>	17,700	1227 / 1436	F10/F12	36mm sq
		<b>350A</b>	29,205	1436 / 1646	F12/F16	46mm sq
		<b>350B</b>	35,400	1436 / 1646	F12/F16	46mm sq
		<b>700</b>	61,950	1436 / 1646	F16/F25	46mm sq

### About

Easytork is the first and only actuation company to standardize the integration of actuators and air reservoirs. Our pneumatic rotary actuators with integrated air reservoirs reduce costs and inefficiencies associated with other fail-safe spring return actuators. Easytork products improve, simplify, and bring peace of mind to flow processes. We're a one-stop shop for everything above the valve.

Easytork has been awarded numerous awards including:  
 2013 – Arch Grants Recipient  
 2015 – Accelerate St. Louis  
 2017 – Frost & Sullivan New Product Innovation Award



### Global Headquarters

2505 Metro Blvd, Suite A / B  
 Maryland Heights, MO 63043  
 USA

Main Tel: +1-314-266-6880

info@easytork.com  
 www.easytork.com