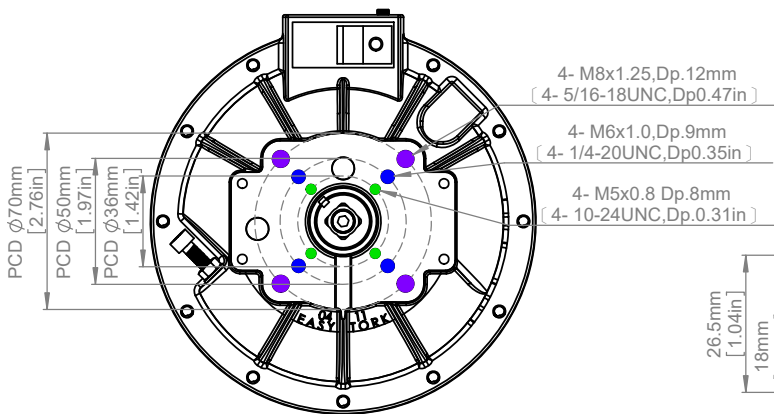
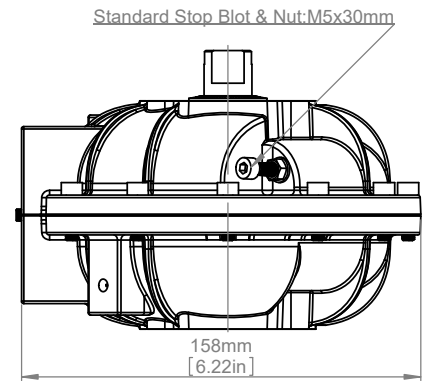
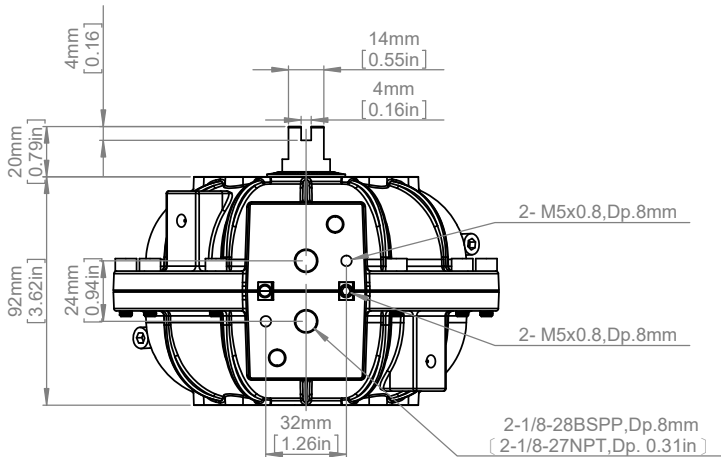
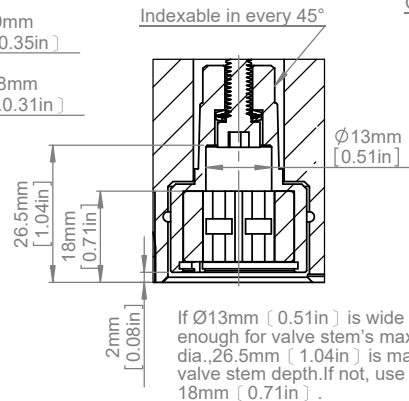


Specifications:

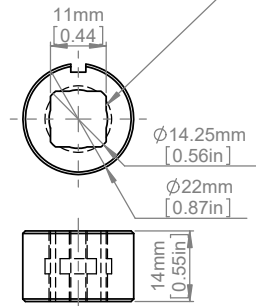
- 1. Output Torque**
 DA 38.6 Nm @ 5.5 bar / 343 in-lb @ 80 psi
 FS 24.7 Nm @ 5.5 bar / 219 in-lb @ 80 psi
- 2. Temperature Rating**
 -20°C to 80°C / -4°F to 176°F
- 3. Pressure Rating**
 Up to 10 bar (150 psi)
- 4. Weight**
 1.8 kg / 4 lb
- 5. Displaced Air Volume Per Stroke**
 0.15 L / 9.2 in³
- 6. Travel Adjustment**
 +/- 5° per stopper bolt for standard



Direct Mount Shaft in EVA
 (Available Space For Valve Stem)

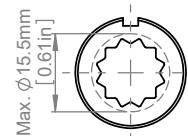
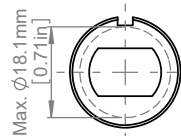


Optional for □ 9mm (0.36in)
 Optional for □ 14mm (0.55in)
 Other shape-available



If Ø13mm [0.51in] is wide enough for valve stem's max dia., 26.5mm [1.04in] is max valve stem depth. If not, use 18mm [0.71in].

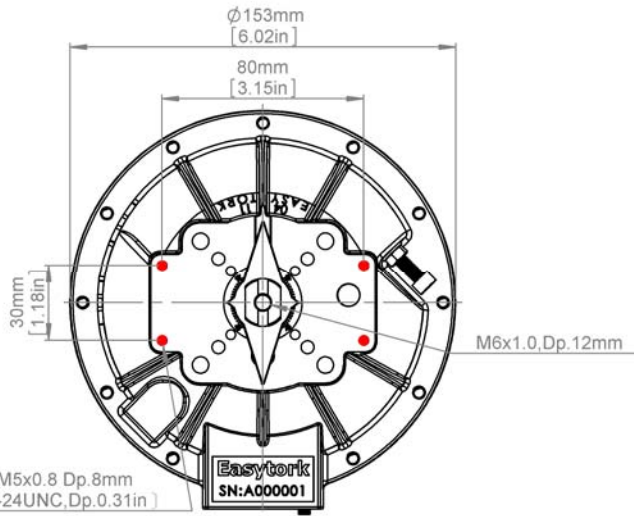
Actuator shown in full CW position
 Ancillaries attachment size AA1



EVA0411-F04
Technical Data
Direct Mount

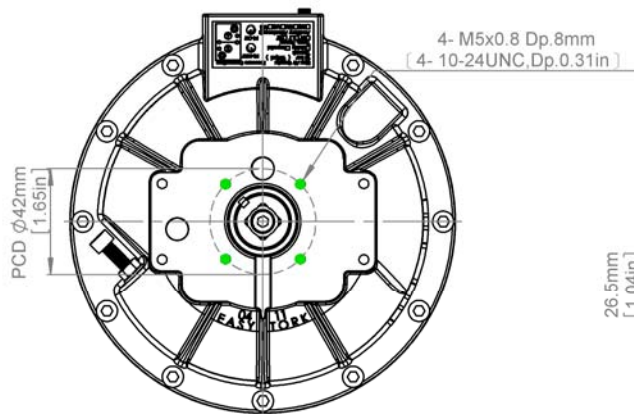
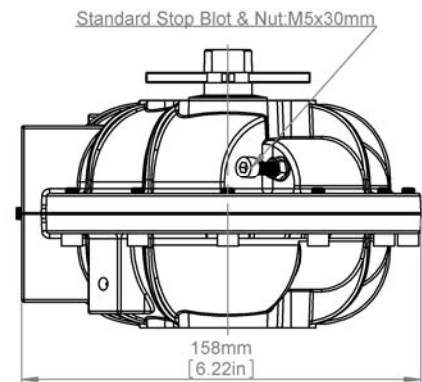
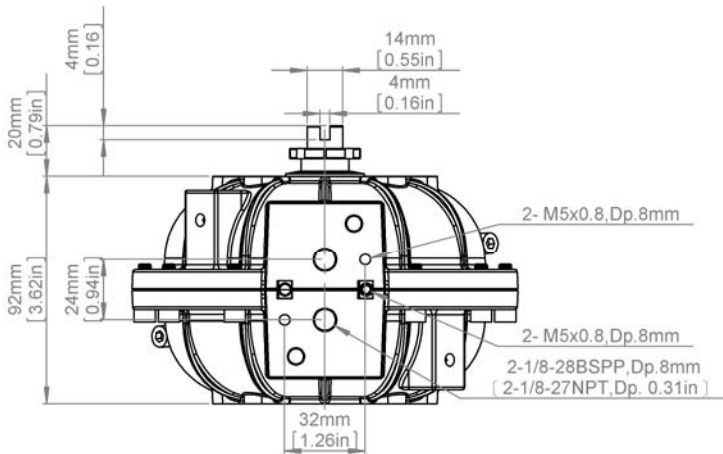


MOUNTING DIMENSIONS PER
 ISO 5211-2001(E)
 DIN 3337(OPTIONAL)
 NAMUR VDI/VDE 3845

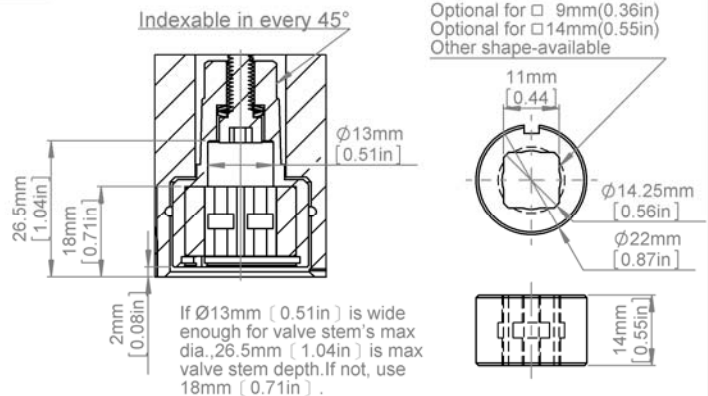


Specifications:

- 1. Output Torque**
 DA 38.6 Nm @ 5.5 bar / 343 in-lb @ 80 psi
 FS 24.7 Nm @ 5.5 bar / 219 in-lb @ 80 psi
- 2. Temperature Rating**
 -20°C to 80°C / -4°F to 176°F
- 3. Pressure Rating**
 Up to 10 bar (150 psi)
- 4. Weight**
 1.8 kg / 4 lb
- 5. Displaced Air Volume Per Stroke**
 0.15 L / 9.2 in³
- 6. Travel Adjustment**
 +/- 5° per stopper bolt for standard



Direct Mount Shaft in EVA
 (Available Space For Valve Stem)



Actuator shown in full CW position
 Ancillaries attachment size AA1

