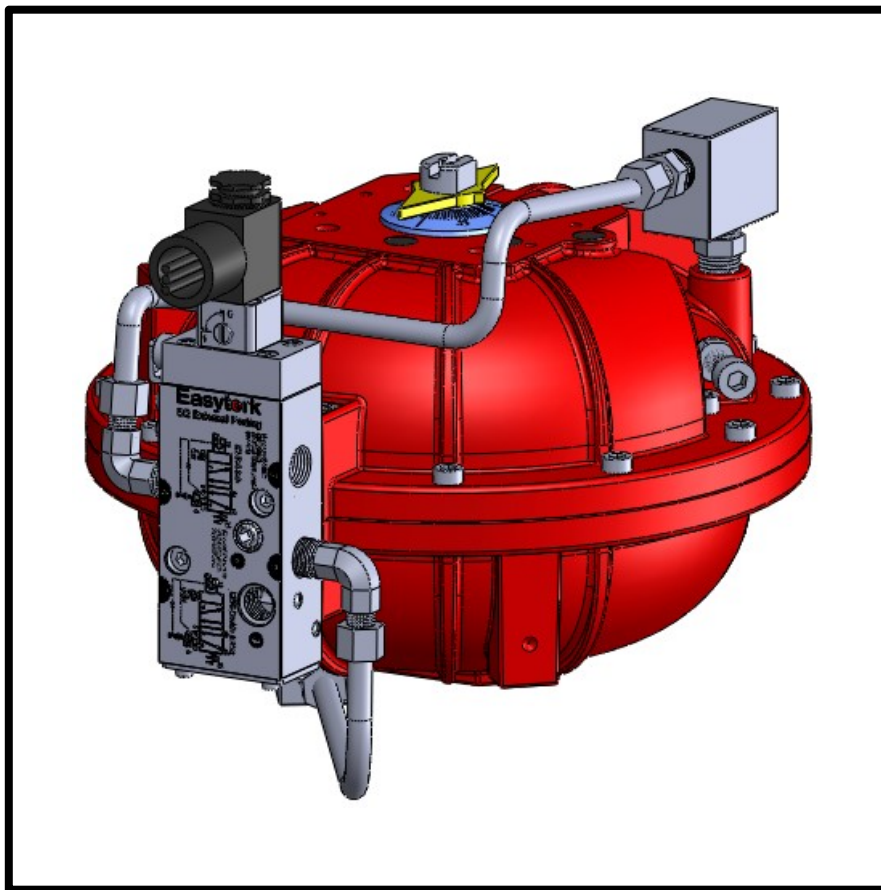


Easytork

Fast-Acting Options



Fast-Acting

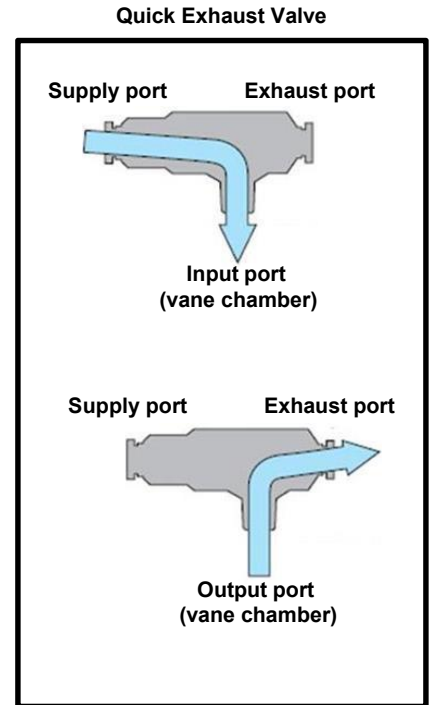
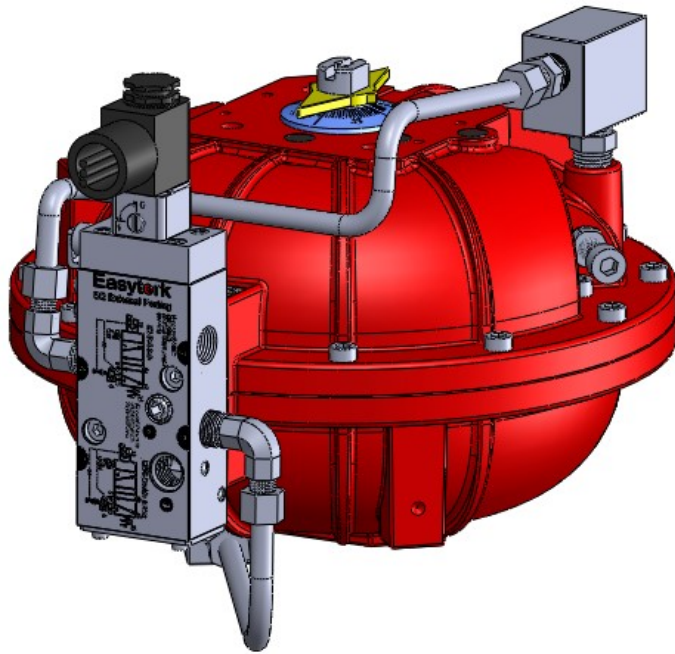
A fast-acting kit comprises of one external porting ESV or EPV with or without Quick Exhaust Valves (“QEV”). Together, they allow for quick open and close. The fast-acting kit redirects air to an external tubing’s larger orifice, and bypasses the EVA, ESV and EPV’s smaller orifice, before directly feeding the vane chamber.

Fast-acting maintains all the benefits of EVA and ESV combination, such as double-acting, fail-safe, manual override, and others.

For sizes EVA-0514 and larger.

Description

ESV or EPV with an external ported 2 and 4 is connected to the EVA’s external vane chamber port. Air is exhausted from QEV to achieve fast acting. This setup increases CV to vane chamber and allows the air exhaust through QEV instead of small orifice of ESV or EPV.



Stroke Time

With QEV		DA(Sec.) ⁽¹⁾⁽²⁾		FS(Sec.) ⁽¹⁾⁽²⁾	
Model	Port Size	Open	Close	Open	Close
EVA-0514	1/4"	0.10	0.08	0.10	0.11
EVA-0717	1/4"	0.17	0.14	0.17	0.19
EVA-1022	1/4"	0.31	0.27	0.31	0.32
EVA-1227	3/8"	0.45	0.44	0.45	0.46
EVA-1436	3/8"	0.80	0.73	0.80	0.82
EVA-1646	3/8"	1.85	1.89	1.85	2.00

Note(1): With external porting ESV, EPV and QEV at 5.5 bar or 80psi, no load.

Note(2): Measured for actual stroke time without solenoid delay.

Stroke Time

Without QEV		DA(Sec.) ⁽¹⁾⁽²⁾		FS(Sec.) ⁽¹⁾⁽²⁾	
Model	Port Size	Open	Close	Open	Close
EVA-0514	1/4"	0.17	0.16	0.17	0.19
EVA-0717	1/4"	0.24	0.22	0.24	0.27
EVA-1022	1/4"	0.37	0.33	0.37	0.38
EVA-1227	3/8"	0.70	0.68	0.70	0.71
EVA-1436	3/8"	1.30	1.29	1.30	1.35
EVA-1646	3/8"	3.30	3.07	3.30	3.31

Note(1): With external porting ESV, EPV and Without QEV at 5.5 bar or 80psi, no load.

Note(2): Measured for actual stroke time without solenoid delay.

Ordering Codes

Fast-Acting Kit

Prefix	Product Type	Model Number	For Which Actuator		
			Actuator Size	FAK Material (Corrosion Rating)	Thread
K	- FAK	- X	- X	- X	X
K : Kit	FAK : Fast-acting kit set	1 : Easytork fast-acting kit set	3 : EVA-0514 4 : EVA-0717 5 : EVA-1022 6 : EVA-1227 7 : EVA-1436 8 : EVA-1646 1T-8T : Corresponding actuator's tandem version	1 : Standard version	1 : Imperial 2 : Metric

<p>About</p> <p>We believe in selling “easy”. Easytork brings differentiating features and benefits to the process control industry through our focus on innovation and quality. Easytork has been awarded numerous awards including:</p> <p>2013 – Arch Grants Recipient</p> <p>2015 – Accelerate St. Louis</p> <p>2017 – Frost & Sullivan Product Innovation Award</p>	<p>Global Headquarters</p> <p>2505 Metro Blvd, Suite A / B Maryland Heights, MO 63043 USA</p> <p>Main Tel: +1-314-266-0670 Main Fax: +1-314-222-7057</p> <p>info@easytork.com www.easytork.com</p>
---	---

