

# Easytork

---

## Limit Switch



# LS Series Limit Switch: Overview

---

## Overview

---

Compact limit switch box, designed not only for the industrial market, but for indoor applications in hazardous areas.

Available in either glass reinforced resin or nickel plated aluminum, with flat lid or 3D indicator.

The LS Series is a corrosion resistant device, able to satisfy the needings in water treatment and desalination plants, can also match the Ex ia IIC T6 standards with the integral intrinsically safe certification, covering enclosure and electrical components inside.

With these devices, we are providing a ready to mount solution, thanks to the integrated Namur mounting kit.

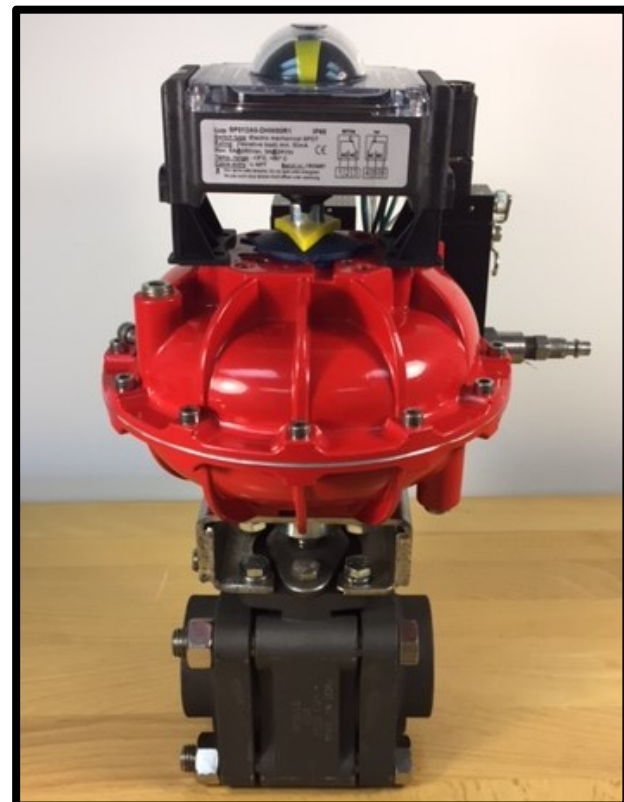


---

## Features

---

- Glass reinforced resin enclosure with transparent polycarbonate lid, ensuring a device totally unaffected by corrosion, in salty and humid environment
- One cable entry as standard, either metrics or imperial.
- Enhanced strength on the composite enclosure, with a thick molding and durable threaded cable entries.
- Easy wiring through the terminal PCB board
- ASI communication protocol board
- Integrated mounting kit for Namur actuators



# LS Series Limit Switch: Technical data

## Technical Data

### Materials

- Glass reinforced resin body with transparent polycarbonate cover
- Stainless steel fasteners

## Approvals

### ATEX, EAC:

EX II 2GD Ex ia IIC T4/T5/T6

Ex ia IIIB T44°C..... T108°C Db IP6\*

Ta: -15°C ≤ Ta ≤ 80°C

### SIL certificate:

Up to SIL 2 Certified by TÜV

### Protection rating:

IP 65

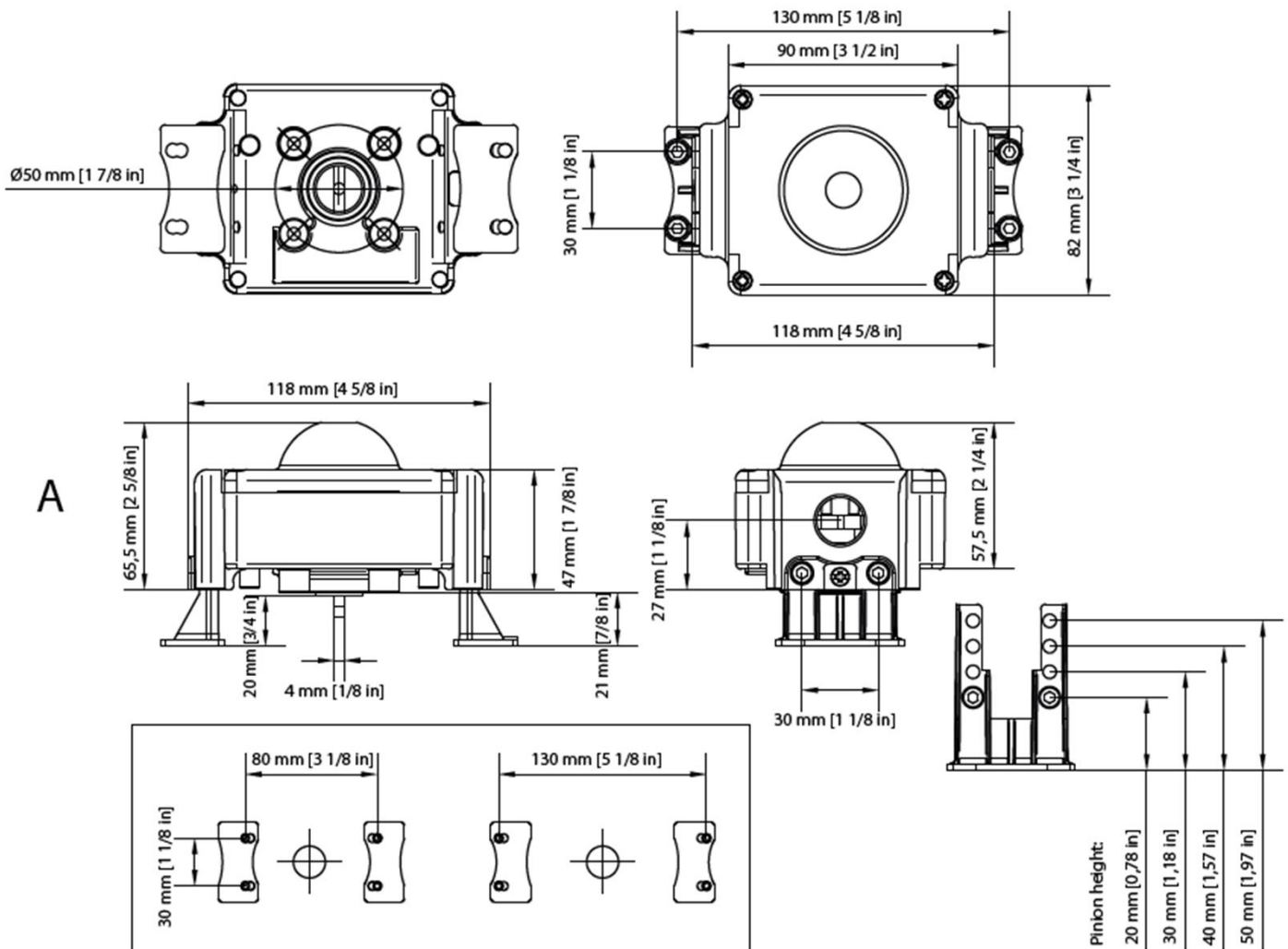
### Cable entries options:

One cable entry M20 or ½" NPT

### Temperature:

-15°C + 80°C as standard temperature range

## Dimensional Data



# Ordering Codes

## LS Series Limit Switch

<u>Product Type</u>	<u>Model</u>	<u>ID</u>
	Limit Sw itch Model	ID
<b>LS</b> -	<b>X</b>	- <b>X</b>
<b>LS:</b> Limit sw itch	<b>SPB01200D:</b> For EVA-0411 and larger; includes built-in limit sw itch bracket. Resin housing, 3D indicator, 2 sw itches, one 1/2"NPT port	<b>RT</b>

## Limit Switch Bracket (If Needed)

<u>Product Type</u>	<u>Bracket Material</u>	<u>Flange Measurement</u>	<u>Bracket Height</u>	<u>Version</u>
	Bracket Material (Corrosion Rating)	Actuator's VDI/VDE 3845 Measurement	Total Limit Sw itch Bracket Height	Wrench Accessible
<b>LB</b> -	<b>X</b> -	<b>X</b> -	<b>X</b> -	<b>X</b>
<b>LB:</b> Limit sw itch bracket	<b>2:</b> Chemical resistant version	Width x length <i>Format:</i> 0mm	Height <i>Format:</i> 0mm	<b>X:</b> Non-wrench accessible <b>WR:</b> For wrench manual overrid

## Easytork's Stock Standard Limit Switch Bracket Stocking

<b>LB</b>	-	<b>2</b>	-	<b>30x80mm</b>	-	<b>45mm</b>	-	<b>X</b>
<b>LB</b>	-	<b>2</b>	-	<b>30x80mm</b>	-	<b>55mm</b>	-	<b>X</b>
<b>LB</b>	-	<b>2</b>	-	<b>30x130mm</b>	-	<b>55mm</b>	-	<b>X</b>
<b>LB</b>	-	<b>2</b>	-	<b>25x50mm</b>	-	<b>45mm</b>	-	<b>WR</b>
<b>LB</b>	-	<b>2</b>	-	<b>30x80mm</b>	-	<b>45mm</b>	-	<b>WR</b>

Note: For dimensions not listed above, call for custom made limit sw itch brackets. Easytork does not readily stock limit sw itch brackets not listec

<b>About</b>	<b>Global Headquarters</b>
<p>We believe in selling "easy". Easytork brings differentiating features and benefits to the process control industry through our focus on innovation and quality. Easytork has been awarded numerous awards including:</p> <p>2013 – Arch Grants Recipient</p> <p>2015 – Accelerate St. Louis</p> <p>2017 – Frost &amp; Sullivan Product Innovation Award</p>	<p>2505 Metro Blvd, Suite A / B Maryland Heights, MO 63043 USA</p> <p>Main Tel: +1-314-266-0670 Main Fax: +1-314-222-7057 info@easytork.com www.easytork.com</p>