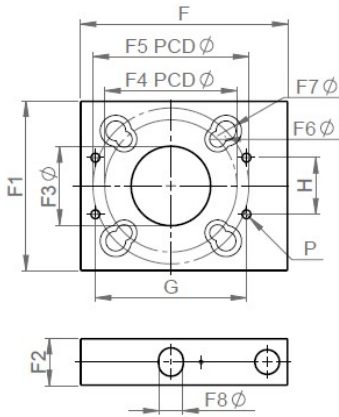
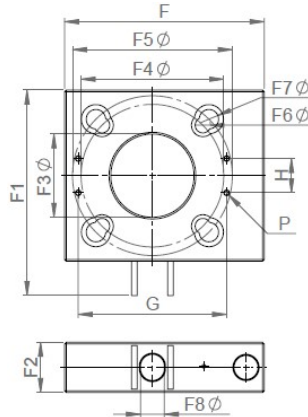


Lockout and Partial Stroke Test Device Dimensions

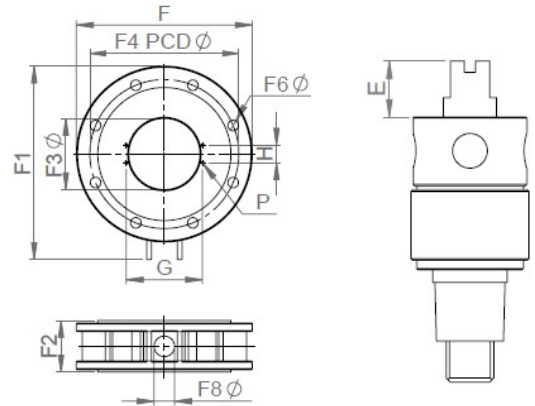
EVA-0309 to EVA-0717



EVA-1022 to EVA-1436



EVA-1646



Metric

Dimensions (mm)	Model							
	EVA-0309	EVA-0411	EVA-0514	EVA-0717	EVA-1022	EVA-1227	EVA-1436	EVA-1646
F	94.0	94.0	110.0	110.0	150.0	175.0	200.0	300.0
F1	55.0	55.0	90.0	90.0	156.0	180.0	204.0	330.0
F2	15.0	15.0	25.0	25.0	30.0	44.0	44.0	84.0
F3 Ø	20.0	28.0	35.0	41.6	55.0	73.0	94.0	121.5
F4 PCD Ø	42.0	42.0	50.0	70.0	125/127	125/127	140.0	254.0
F5 PCD Ø	50.0	50.0	82.6	82.6	-	140.0	165.0	-
F6 Ø	5.5	5.5	6.8	8.5	15.5	13.5	17.0	18.4
F7 Ø	6.8	6.8	10.5	10.5	-	17.0	21.0	-
F8 Ø	8.0	8.0	11.0	13.0	17.0	21.0	25.0	35.0
Actuator Dimensions of Accessories Flange								
G	80.0	80.0	80.0	80.0	80.0	130.0	130.0	130.0
H	30.0	30.0	30.0	30.0	30.0	30.0	30.0	30.0
E	20.0	20.0	20.0	20.0	30.0	30.0	30.0	30.0
P	4-M5x0.8 Deep8	4-M5x0.8 Deep8	4-M5x0.8 Deep8	4-M5x0.8 Deep8	4-M5x0.8 Deep8	4-M5x0.8 Deep8	4-M5x0.8 Deep8	4-M5x0.8 Deep8

Imperial

Dimensions (inch)	Model							
	EVA-0309	EVA-0411	EVA-0514	EVA-0717	EVA-1022	EVA-1227	EVA-1436	EVA-1646
F	3.70	3.70	4.33	4.33	5.91	6.89	7.87	11.81
F1	2.17	2.17	3.54	3.54	6.14	7.09	8.03	12.99
F2	0.59	0.59	0.98	0.98	1.18	1.73	1.73	3.31
F3 Ø	0.79	1.10	1.38	1.64	2.17	2.87	3.70	4.78
F4 PCD Ø	1.65	1.65	1.97	2.76	4.92/5.00	4.92/5.00	5.51	10.00
F5 PCD Ø	1.97	1.97	3.25	3.25	-	5.51	6.50	-
F6 Ø	0.22	0.22	0.27	0.33	0.61	0.53	0.67	0.72
F7 Ø	0.27	0.27	0.41	0.41	-	0.67	0.83	-
F8 Ø	0.31	0.31	0.43	0.51	0.67	0.83	0.98	1.38
Actuator Dimensions of Accessories Flange								
G	3.15	3.15	3.15	3.15	3.15	5.12	5.12	5.12
H	1.18	1.18	1.18	1.18	1.18	1.18	1.18	1.18
E	0.79	0.79	0.79	0.79	1.18	1.18	1.18	1.18
P	4x10-24UNC Deep0.31	4x10-24UNC Deep0.31	4x10-24UNC Deep0.31	4x10-24UNC Deep0.31	4x10-24UNC Deep0.31	4x10-24UNC Deep0.31	4x10-24UNC Deep0.31	4x10-24UNC Deep0.31

Patents: Lockout and Partial Stroke Test Device
China =278493 Taiwan = M447275, other countries pending