

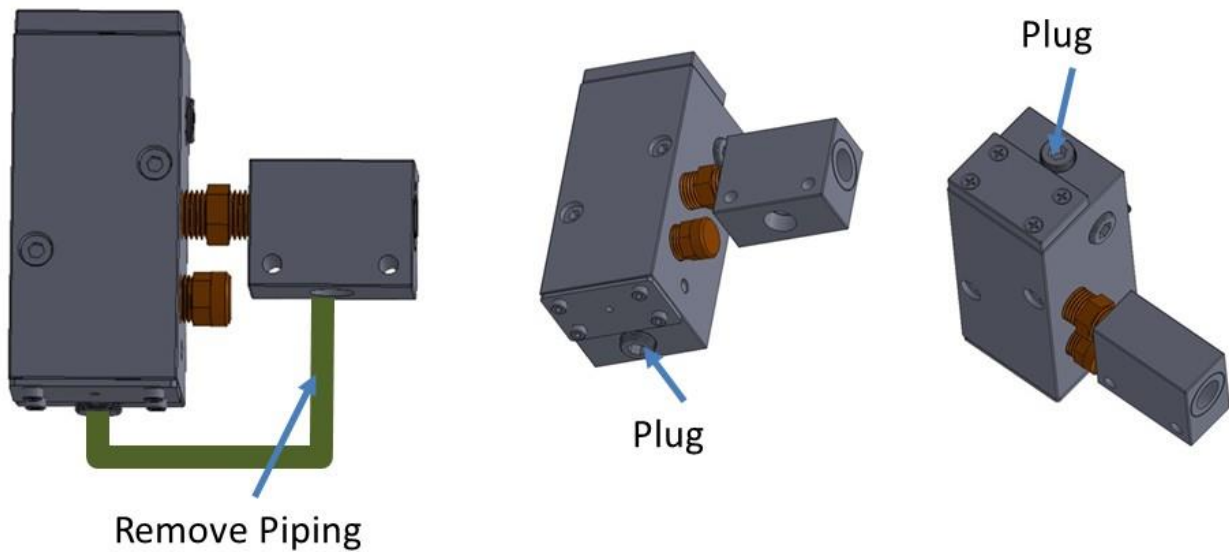
NAMUR Trip Valve With 1646 (External Ported) IOM

General

This installation document is a supplemental data to the NAMUR Trip Valve IOM. Refer to the NAMUR Trip Valve IOM for more information. Refer to Easytork website for most up to date IOM.

Modification from Standard NTV

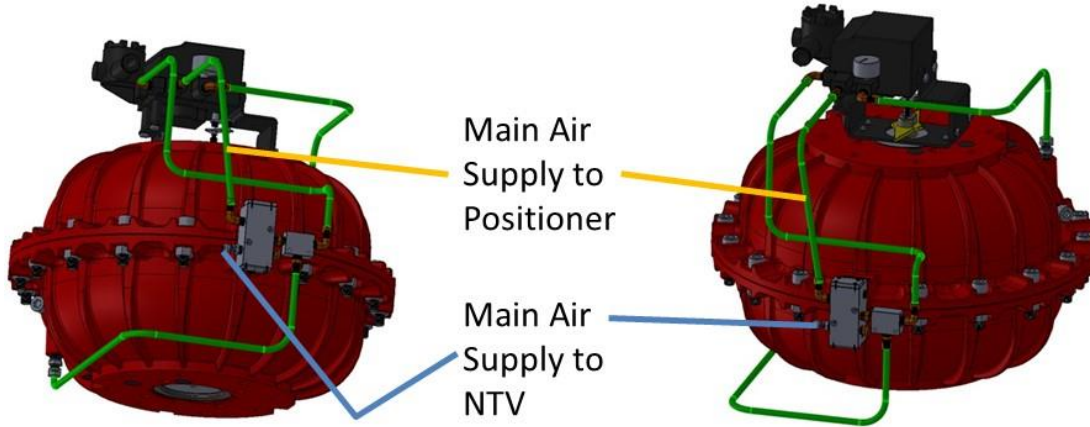
Remove the U-shaped piping from the standard NTV. Plug the two holes on the indicated locations in the illustration.



Fail-Clockwise Setup & Piping

If there is loss of air signal, actuator will move CW.

Fail-CW Setup with 1646 + NTV



Fail-Counter Clockwise Setup & Piping

If there is loss of air signal, actuator will move CCW. (Note NTV is rotated 180 degrees)

Fail-CCW Setup with 1646 + NTV

