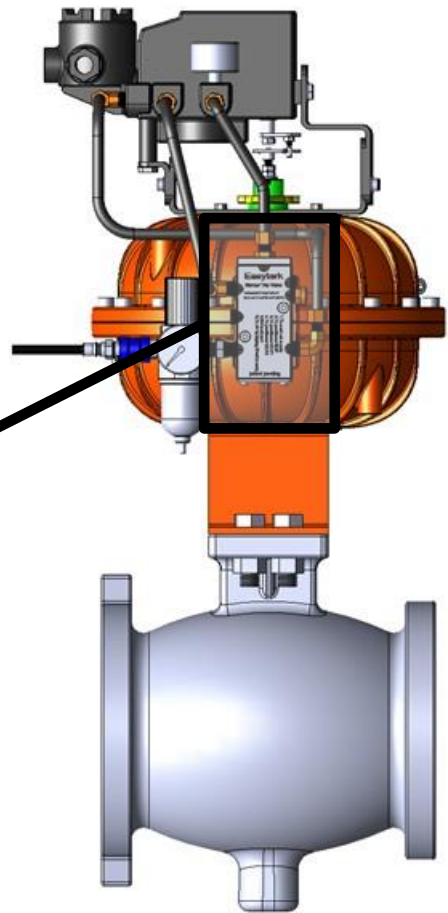


NAMUR Trip Valve (For Positioners)



Patents:

USA: 11,280,428

All other countries pending

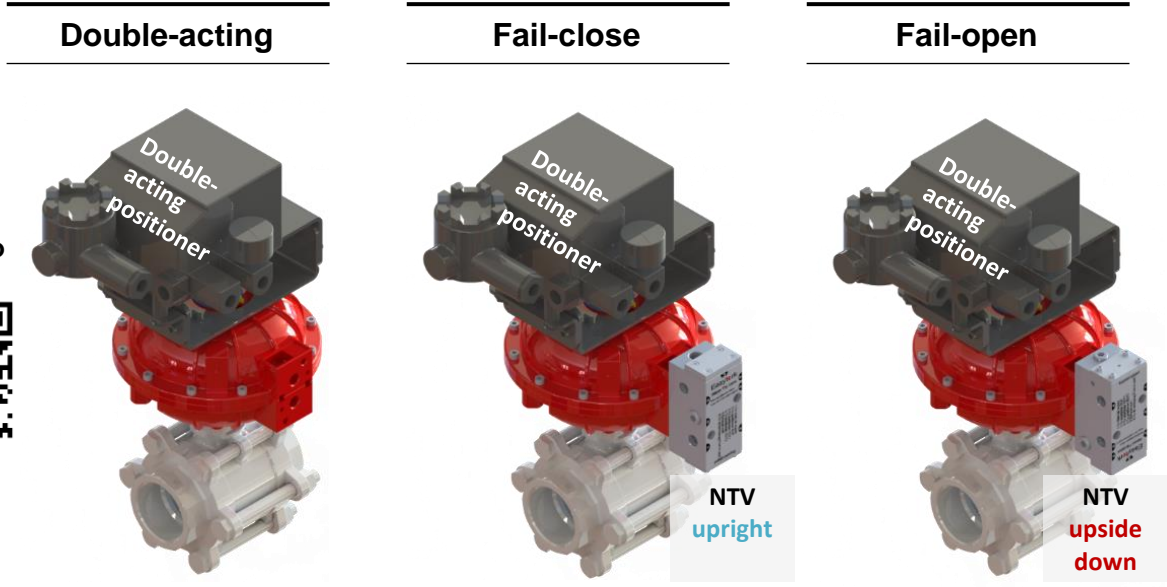
Namur Trip Valve ("NTV")

Easytork, or any Namur compatible actuator, can be fitted to the NTV. This setup allows a modulating actuator with a reservoir system and a double-acting positioner to fail-safe.

Any double-acting positioner can be used with the NTV to fail-safe an actuator

Universal Compatibility
With Any Positioner

IOM video

NTV removes problems caused by springs

NTV's closed-loop benefits

Case study




Clean internals with years of usage in dirty environment

Easytork's NTV

- Never breathes in or out environment.

Spring-return open-loop problems

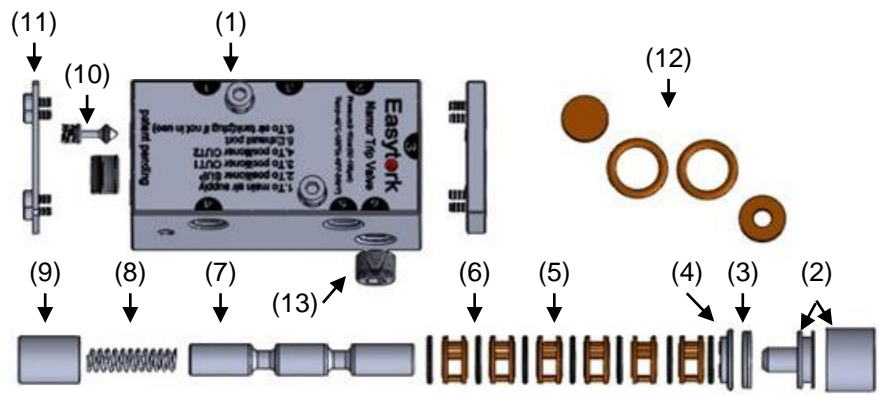


Actuator breathes in and out the environment in spring-return

Spring-return actuators

- Always breathes in and out environment, therefore issues in dirty or high-purity environments are inevitable.

NTV Build of Materials



Ref No	Description	Standard	Corrosion Rating		Qty
			Standard	Severe Service	
1	Valve body*	Aluminum	Aluminum		1
2	Piston sleeve* / piston	Aluminum	Stainless steel (SS316)		1 set
3	Piston seal*	NBR	NBR		1
4	Retainer	Aluminum	Stainless steel (SS316)		1
5	Spacer	Brass	Brass		1 set
6	Lip seal*	NBR	NBR		1 set
7	Spool*	Stainless steel	Stainless steel (SS316)		1
8	Spring	Stainless steel (SS304)	Stainless steel (SS304)		1
9	Sleeve	Aluminum	Stainless steel (SS316)		1
10	Internal check valve	Stainless steel / stainless steel spring	Stainless steel / stainless steel spring		1
11	All bolting / plate	Stainless steel (SS304)	Stainless steel (SS304)		1 set
12	O-ring and seal plate	NBR	NBR		1 set
13	Plug	Nickle-plated steel	Nickle-plated steel		1 set

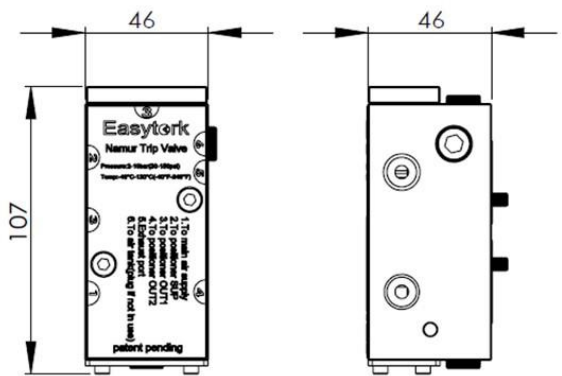
* Items marked with an asterisk require thin film of lubricant

NTV Specification

NTV Technical Specification

Operating pressure ⁽¹⁾	2 - 10 bar (30 - 150 psi)
Operating medium	Air (dry or lubricated)
Flow l/min (Cv) Port size: 1/4"	1000 l/min (Cv = 1.0)
Temperature range	-20°C to 80°C (-4°F to 176°F)

Note (1): If required, consult factory for minimum pressure setting for over 2 bar (30 psi).



(Figures in mm)

Ordering Codes

Easytork Namur Trip Valve

<u>Prefix</u>	<u>Product Type</u>	<u>Model Number</u>	<u>NTV Attributes</u>		
			Seal (Temp. Rating)	NTV Body Material (Corrosion Rating)	Thread
C	- PV	- X	- X	- X	X
C : Complete product	PV : Universal positioner valve	1 : NTV - Easytork Namur trip valve	1 : Standard seal (for all temp -20°C to 80°C or -4°F to 176°F)	1 : Standard 3 : Severe service	1 : Imperial 2 : Metric

About

Easytork is the first and only actuation company to standardize the integration of actuators and air reservoirs. Our pneumatic rotary actuators with integrated air reservoirs reduce costs and inefficiencies associated with other fail-safe spring return actuators. Easytork products improve, simplify, and bring peace of mind to flow processes. We're a one-stop shop for everything above the valve.

Easytork has been awarded numerous awards including:
 2013 – Arch Grants Recipient
 2015 – Accelerate St. Louis
 2017 – Frost & Sullivan New Product Innovation Award



Global Headquarters

2505 Metro Blvd, Suite A / B
 Maryland Heights, MO 63043
 USA

Main Tel: +1-314-266-0670
 Main Fax: +1-314-222-7057
info@easytork.com
www.easytork.com