

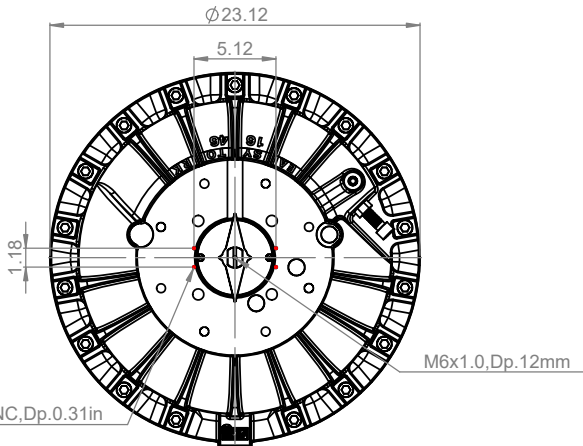
**EVA1646Tandem-
F16/6.5"/F25
Technical Data-Imperial
Direct Mount**



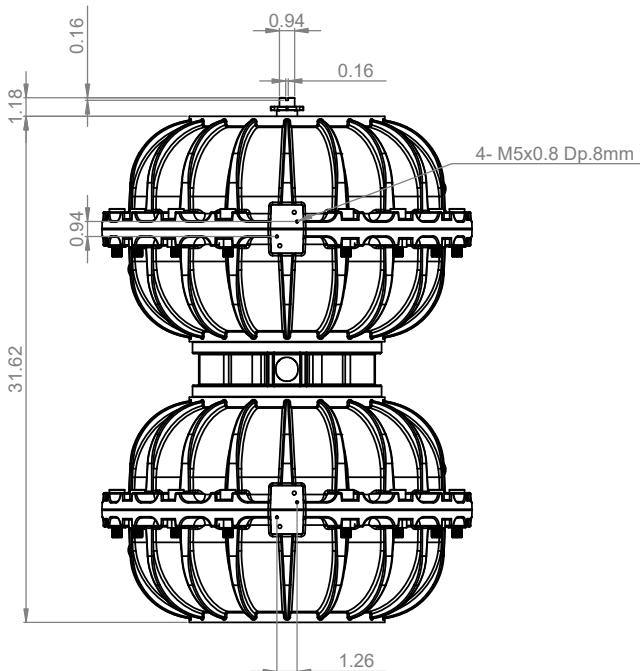
MOUNTING DIMENSIONS PER
ISO 5211-2001(E)
DIN 3337(OPTIONAL)
KEYSTONE MOUNTING STANDARD
NAMUR VDI/VDE 3845

Specifications:

- 1. Output Torque**
DA 5074 Nm @ 5.5 bar / 45038 in-lb @ 80 psi
FS 3396 Nm @ 5.5 bar / 30143 in-lb @ 80 psi
- 2. Temperature Rating**
-20°C to 80°C / -4°F to 176°F
- 3. Pressure Rating**
Up to 10 bar (150 psi)
- 4. Weight**
165 kg / 363.8 lb
- 5. Displaced Air Volume Per Stroke**
19.2 L / 1171.6 in³
- 6. Travel Adjustment**
+/- 5° per stopper bolt for standard

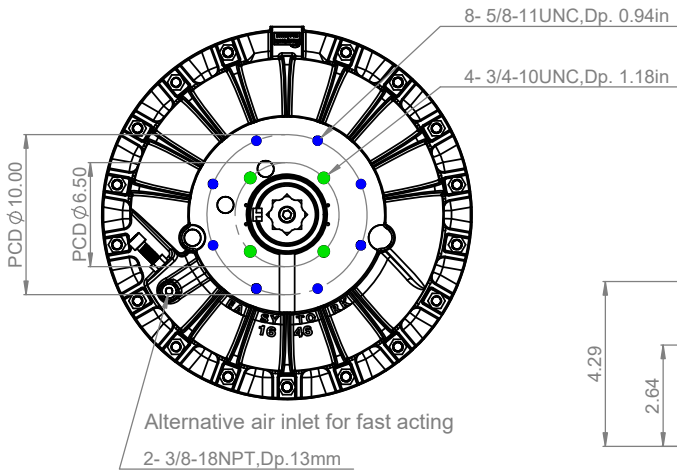
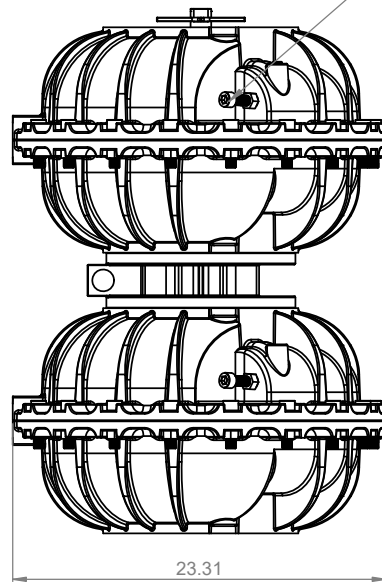


4- 10-24UNC, Dp.0.31in



4- M5x0.8 Dp.8mm

Standard Stop Blot & Nut: M16x100mm



8- 5/8-11UNC, Dp. 0.94in

4- 3/4-10UNC, Dp. 1.18in

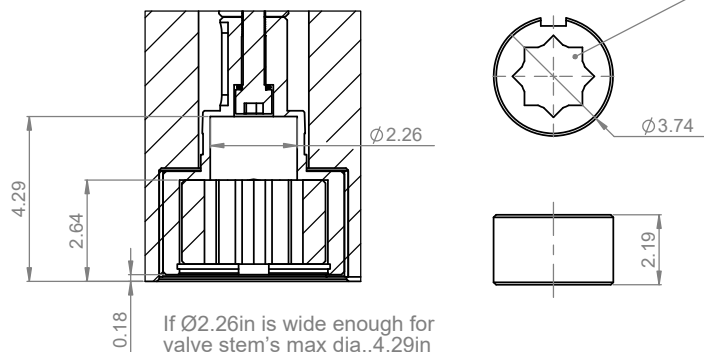
Alternative air inlet for fast acting

2- 3/8-18NPT, Dp.13mm

Actuator shown in full CW position
Ancillaries attachment size AA3

Direct Mount Shaft in EVA
(Available Space For Valve Stem)

Insert allow machining
per requirement



If 2.26in is wide enough for
valve stem's max dia., 4.29in
is max valve stem depth. If
not, use 2.64in.